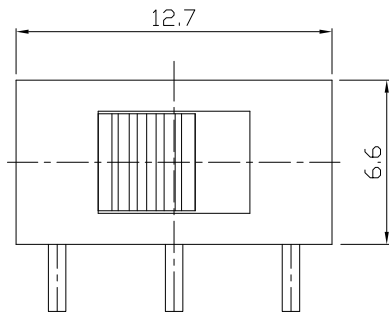
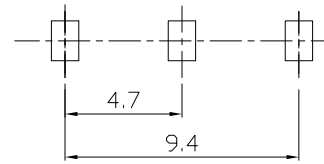
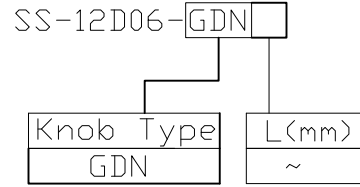


RoHS



MODEL CODE



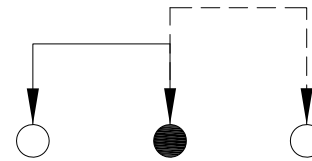
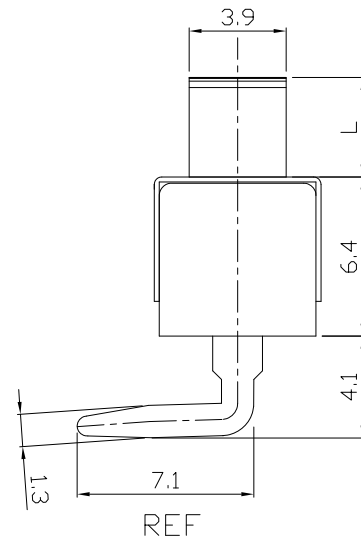
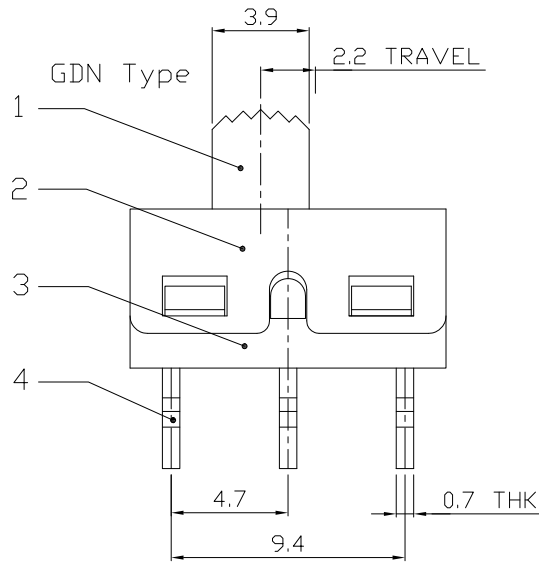
P.C.B LAYOUT  
BOTTOM VIEW

Height(高度) :

NO.1	
PART NO	L
	X

Main technical specifications:

Rated load(额定负荷):	AC 125V 2A		
Contact impedance(接触阻抗):	100m MAX		
Insulation impedance(绝缘阻抗):	100M MIN		
TIMING	NON-SHORTING		
OPERATING LIFE(电气寿命):	100,000 cycles		
Usage temperature(使用温度):	-25 to 85		
CIRCUIT	1P2T		
Trip(行程):	2.2 ± 0.2mm		
Operating force(操作力):	1	2	
	3	4	200 ± 100g
	5	6	



CIRCUIT DIAGRAM

public errand(公差) : ±0.2mm unit(单位) : mm

LCZY ELECTRONICS(SHEN ZHEN)CO.,LTD

COPYRIGHT RESERVED,PLEASE DO NOT COPY.

PART NAME		SWITCH		DRAWING	G.L CHEN	DWG.No.	LCZY
PART NO.		SS-12D06		CHECK	Z.LIU	REV.	A1
UNIT :	TOLERANCE OTHERWISE	UP TO 5	±0.2	ANGLE	APPROVAL	DATE	SS-09-2019
		ABOVE 5~30	±0.3			PAGE	1 OF 1
mm		ABOVE 30	±0.5	0°±3'	SCALE		
		ANGLE	±3'				

SS-12D06-