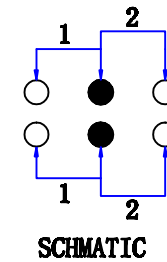
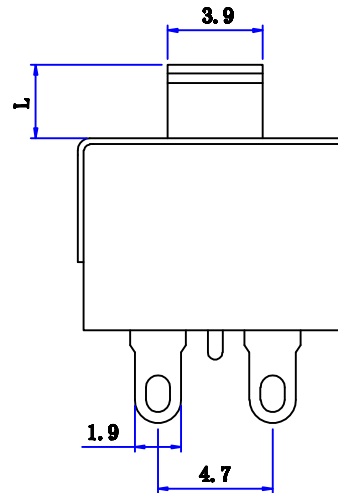
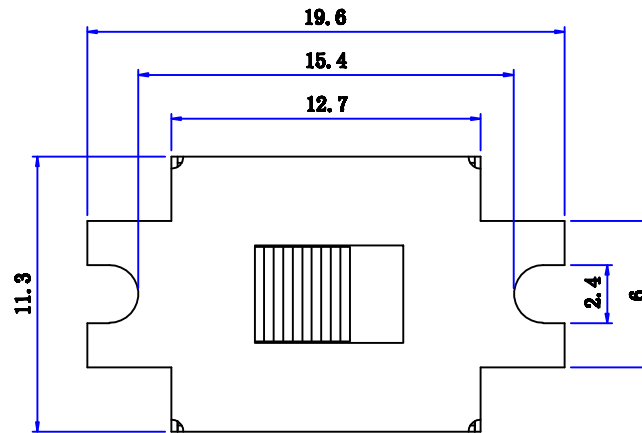
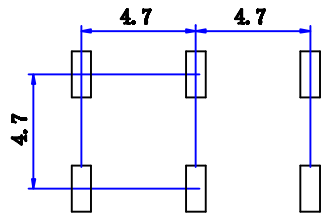
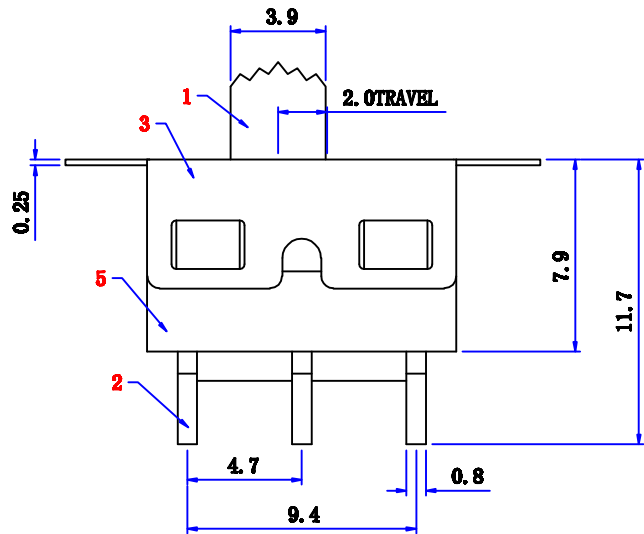


RoHS



Height(高度) :

NO.1	
PART NO	L
	X

Main technical specifications:

Rated load(额定负荷):	AC 125V 1.5A		
Contact impedance(接触阻抗):	100m MAX		
Insulation impedance(绝缘阻抗):	100M MIN		
TIMING	NON-SHORTING		
OPERATING LIFE(电气寿命):	100,000 cycles		
Usage temperature(使用温度):	-25 to 85		
CIRCUIT	2P2T		
Trip(行程):	2.2 ± 0.2mm		
Operating force(操作力):	1	2	300 ± 150g
	3	4	
	5	6	

public errand(公差) : ±0.2mm unit(单位) : mm

LCZY ELECTRONICS(SHEN ZHEN)CO.,LTD

COPYRIGHT RESERVED,PLEASE DO NOT COPY.

PART NAME		SWITCH		DRAWING	G.L CHEN	DWG.No.	LCZY
PART NO.		SS-22D08		CHECK	Z.LIU	REV.	A1
UNIT :	TOLERANCE	OTHERWISE	UP TO 5	ANGLE	APPROVAL	DATE	SS-09-2019
			ABOVE 5~30				
mm			±0.3		SCALE	PAGE	1 OF 1
			ABOVE 30		2:1		
			±0.5				
			±3'				

SS-22D08-