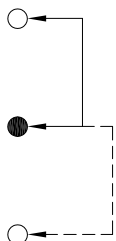
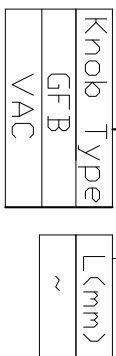


MODEL CODE

SK-12D18-GFB



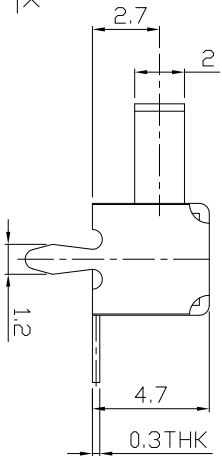
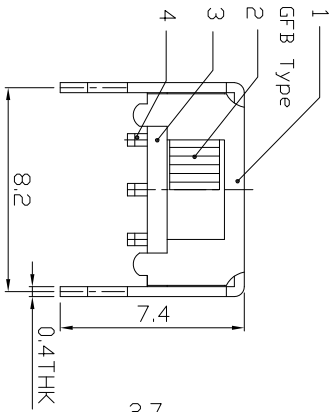
CIRCUIT DIAGRAM

Height (高度) :

NO.1	
PART NO	L
	X

Main technical specifications:

Rated load(额定负荷) :	DC 50V 30mA		
Contact impedance (接触阻抗) :	≤100m Ω MAX		
Insulation impedance (绝缘阻抗) :	≥100M Ω MIN		
TIMING	NON-SHORTING		
OPERATING LIFE (电气寿命) :	100,000 cycles		
Usage temperature (使用温度) :	-25 °C to 85 °C		
CIRCUIT	1P2T		
Trip(行程) :	2±0.2mm		
Operating force(操作力) :	1	2	
	3	4	250±100g
	5	6	



public errand (公差) : ±0.2mm unit (单位) : mm

LCZY ELECTRONICS(SHEN ZHEN)CO.,LTD

COPYRIGHT RESERVED,PLEASE DO NOT COPY.

PART NAME	SWITCH		DRAWING	G.L.CHEN	DWG.No.	LCZY
PART NO.	SK-12D18		CHECK	Z.LIU	REV.	A1
UNIT :	mm	TOLERANCE	APPROVAL		DATE	SK-09-2019
		OTHERWISE	SCALE	2:1	PAGE	1 OF 1
		UP TO 5				
		ABOVE 5~30				
		±0.2				
		±0.3				
		±0.5				
		±3				
		ANGLE				
		0.45°				

F

E

D

SK-12D18-□

B

A