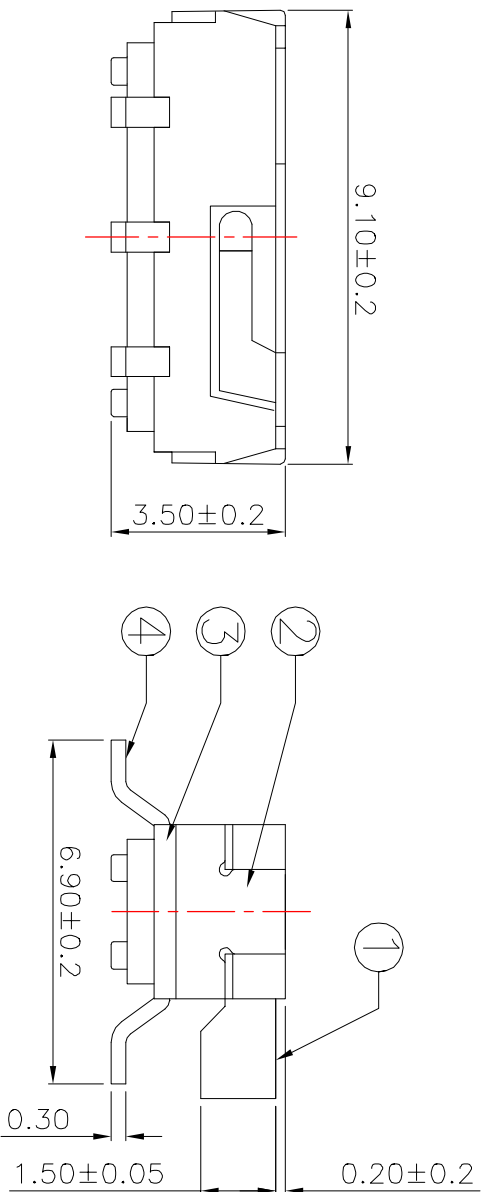


Circuit Diagram



PART NO.	L	Operating force
K3-2245S-F1	2	200±100gf
K3-2245S-K1	3	
K3-2245S-L1	4	

ITEM	PART NAME	TER'NO.	QTY.	MATERIAL	FINISHING	REMARK
⑤	Contact Spring	—	2	Beryllium copper	Ag Plated	—
④	Terminal	—	6	Brass Strip	Ag Plated	—
③	Base	—	1	NYLON	Black	—
②	Cover	—	1	SUS	Natural	—
①	KNOB	—	1	NYLON	Black	—

APPROVALS		DATE	TITLE:	TOGGLE SWITCHES
DRAWN	S.L.L	2019.11.03	LCZY ELECTRONICS(SHEN ZHEN)CO.,LTD	

ECN NO.	REV.	DATE.	DESCRIPTION.	CHANGE.	CHECK.	APPRO.	TOLERANCES ARE	30~12.5 ±	±0.30	ANGLE	PART NO.	SCALE:	PROJ:	SHEET
	A		NEW				10~30	±0.20	±2°	UNIT: mm		1:1	PROJ:	1 OF 1
							5~10	±0.15		DRAWING NO.				