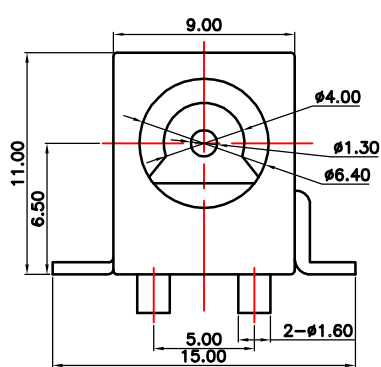
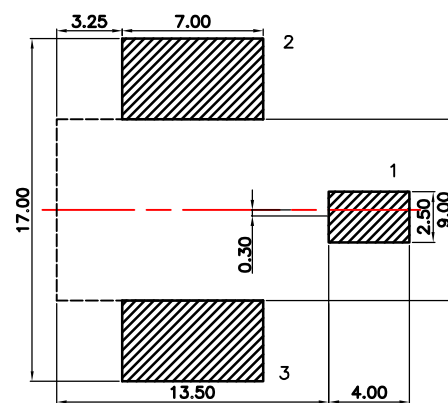
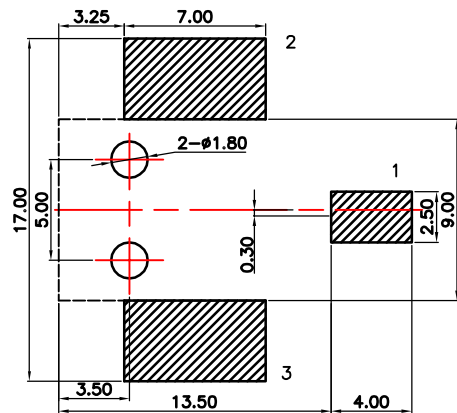
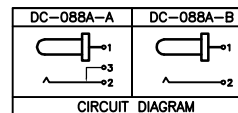
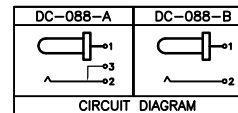
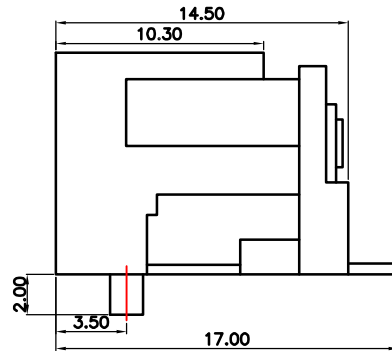


RoHS



P.C.B LAYOUT(Copper-side view)



public errand (公差) : ±0.2mm unit (单位) : mm

Material:

contact pin插针	Au
plastic cement 塑胶	Nylon尼龙
Pin 引脚	Au
CONTACT A(P脚A)	Au

Main technical specifications:

Rated load(额定负荷):	DC30V 0.5A						
Contact impedance(接触阻抗):	100m MAX						
Insulation impedance(绝缘阻抗):	100M MIN						
Welding resistance temperature(耐焊温度):	250 ± 5 ° 5s						
OPERATING LIFE (电气寿命):	5,000 cycles						
Usage temperature (使用温度):	-20 to 70						
Operating humidity (使用湿度):	85% RH						
Insertion and Extraction Force(插拔力)	3 ~ 20N						
	<table border="1"> <tr> <td>1</td> <td>2</td> </tr> <tr> <td>3</td> <td>4</td> </tr> <tr> <td>5</td> <td>6</td> </tr> </table>	1	2	3	4	5	6
1	2						
3	4						
5	6						

LCZY ELECTRONICS(SHEN ZHEN)CO.,LTD

COPYRIGHT RESERVED,PLEASE DO NOT COPY.

PART NAME	DC JACK			DRAWING	G.L CHEN	DWG.No.	LCZY
PART NO.	DC-088			CHECK	Z.LIU	REV.	A1
UNIT : mm	TOLERANCE	UP TO 5	±0.2	APPROVAL	SCALE	DATE	DC-09-2019
	OTHERWISE	ABOVE 5 ~ 30	±0.3			PAGE	1 OF 1
		ABOVE 30	±0.5		2:1		
		ANGLE	±3'				

DC-088- -

B

A