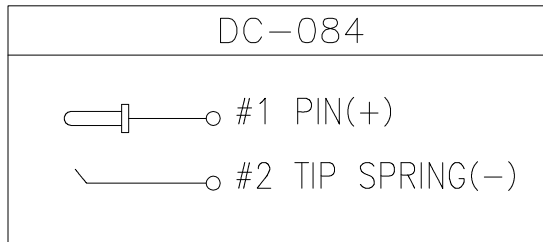
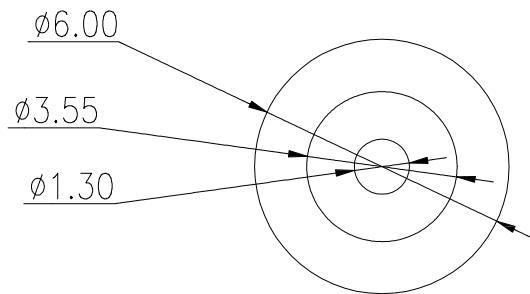
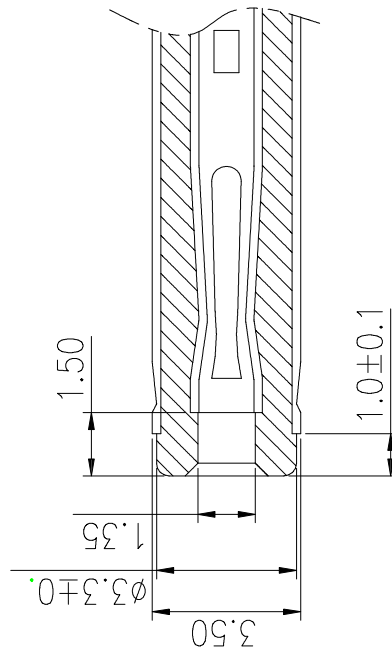
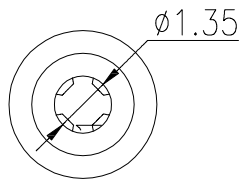
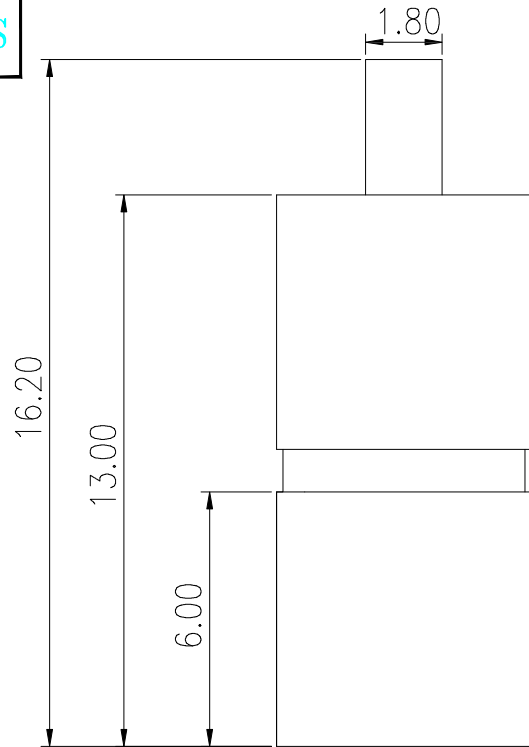


RoHS



Material:

contact pin插针	Au
plastic cement 塑胶	Nylon尼龙/PA46
Pin 引脚	Au
CONTACT A(P脚A)	Au

Main technical specifications:

Rated load(额定负荷):	DC30V 5A
Contact impedance(接触阻抗):	100m MAX
Insulation impedance(绝缘阻抗):	100M MIN
Welding resistance temperature(耐焊温度):	250 ± 5 ° 5s
OPERATING LIFE(电气寿命):	5,000 cycles
Usage temperature(使用温度):	-20 to 70
Operating humidity(使用湿度):	85% RH
Insertion and Extraction Force(插拔力)	3 ~ 20N

public errand (公差) : ±0.2mm unit (单位) : mm

LCZY ELECTRONICS(SHEN ZHEN)CO.,LTD

COPYRIGHT RESERVED,PLEASE DO NOT COPY.

PART NAME		DC JACK		DRAWING		G.L CHEN		DWG.No.		LCZY	
PART NO.		DC-084		CHECK		Z.LIU		REV.		A1	
UNIT :	TOLERANCE	OTHERWISE	UP TO 5	±0.2	ANGLE	APPROVAL	DATE	DC-09-2019		SCALE	PAGE
			ABOVE 5 ~ 30	±0.3							
mm			ABOVE 30	±0.5							
			ANGLE	±3'							

DC-084

B

A