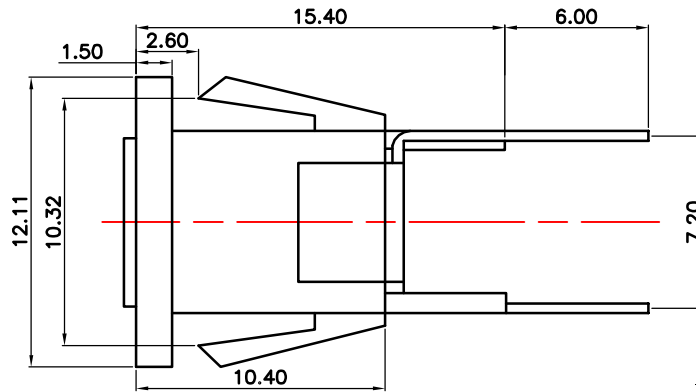
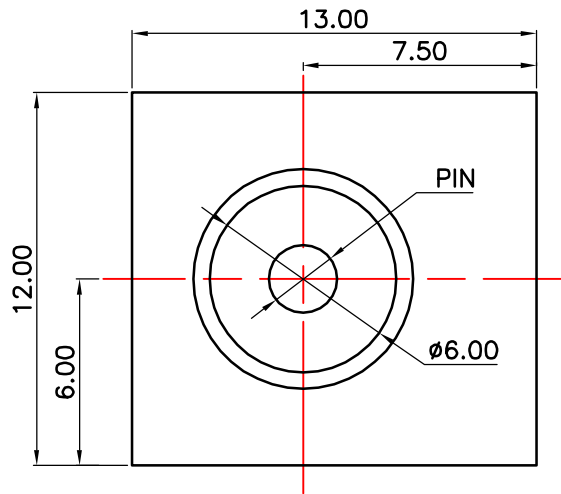
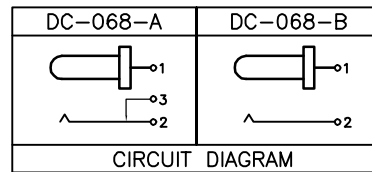
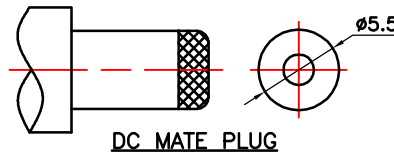
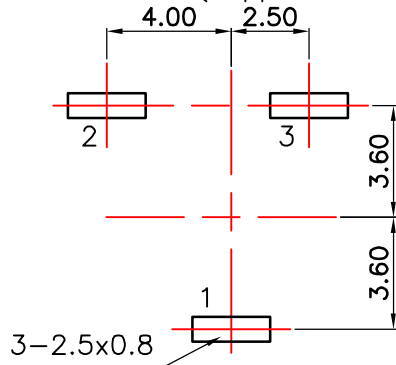


RoHS



P.C.B LAYOUT(copper-sided view)



Model No.	1	2
PIN	Ø2.0	Ø2.5

public errand (公差) : ±0.2mm unit (单位) : mm

Material:

contact pin插针	Au
plastic cement塑胶	Nylon尼龙/PA46
Pin 引脚	Au
CONTACT A(P脚A)	Au

Main technical specifications:

Rated load(额定负荷):	DC30V 0.5A						
Contact impedance(接触阻抗):	100m MAX						
Insulation impedance(绝缘阻抗):	100M MIN						
Welding resistance temperature(耐焊温度):	250 ± 5 ° 5s						
OPERATING LIFE(电气寿命):	5,000 cycles						
Usage temperature(使用温度):	-20 to 70						
Operating humidity(使用湿度):	85% RH						
Insertion and Extraction Force(插拔力)	3 ~ 20N						
	<table border="1"> <tr> <td>1</td> <td>2</td> </tr> <tr> <td>3</td> <td>4</td> </tr> <tr> <td>5</td> <td>6</td> </tr> </table>	1	2	3	4	5	6
1	2						
3	4						
5	6						

LCZY ELECTRONICS(SHEN ZHEN)CO.,LTD

COPYRIGHT RESERVED,PLEASE DO NOT COPY.

PART NAME		DC JACK		DRAWING		G.L CHEN		DWG.No.		LCZY		
PART NO.		DC-068		CHECK		Z.LIU		REV.		A1		
UNIT :	TOLERANCE	OTHERWISE	UP TO 5	±0.2	ANGLE	APPROVAL	DATE	DC-09-2019	SCALE	2:1	PAGE	1 OF 1
			ABOVE 5 ~ 30	±0.3								
mm			ABOVE 30	±0.5								
			ANGLE	±3'								

DC-068-