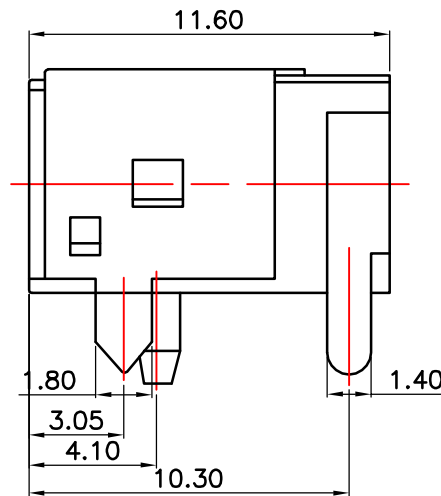
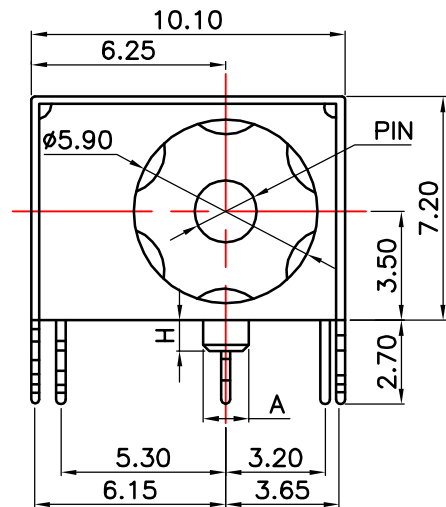
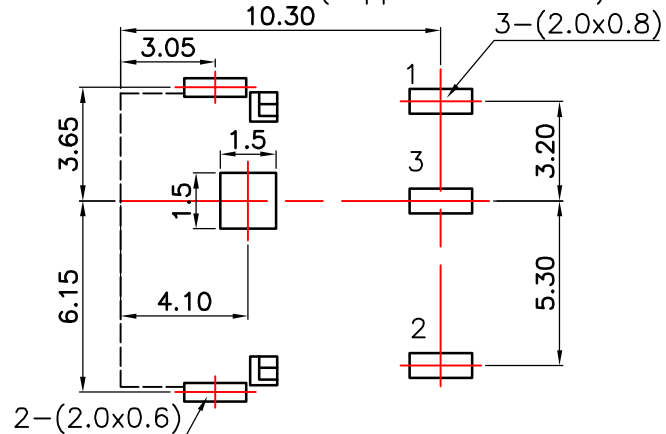


RoHS



P.C.B LAYOUT(copper-sided view)



Model No.	A=1.4,H=3	DC-004A-A	DC-004A-B
	A=1.5,H=3	DC-004F-A	DC-004F-B
	A=1.6,H=3	DC-004G-A	DC-004G-B
	A=1.4,H=1	DC-004H-A	DC-004H-H
Schematic			

Model No.	1	2	3
PIN	∅1.65	∅2.0	∅2.5

Material:

contact pin插针	Au
plastic cement 塑胶	Nylon尼龙/PA46
Pin 引脚	Au
CONTACT A(P脚)	Au

Main technical specifications:

Rated load(额定负荷):	DC30V 0.5A
Contact impedance(接触阻抗):	100m MAX
Insulation impedance(绝缘阻抗):	100M MIN
Welding resistance temperature(耐焊温度):	250 ± 5 ° 5s
OPERATING LIFE(电气寿命):	5,000 cycles
Usage temperature(使用温度):	-20 to 70
Operating humidity(使用湿度):	85% RH
Insertion and Extraction Force(插拔力)	3 ~ 20N

public errand(公差): ±0.2mm unit(单位): mm

LCZY ELECTRONICS(SHEN ZHEN)CO.,LTD

COPYRIGHT RESERVED,PLEASE DO NOT COPY.

PART NAME	DC JACK		DRAWING	G.L CHEN	DWG.No.	LCZY
PART NO.	DC-044A		CHECK	Z.LIU	REV.	A1
UNIT : mm	TOLERANCE OTHERWISE	UP TO 5 ABOVE 5 ~ 30 ABOVE 30 ANGLE	APPROVAL	DATE		DC-09-2019
		±0.2 ±0.3 ±0.5 ±3°	SCALE	2:1	PAGE	1 OF 1

DC-044A-□