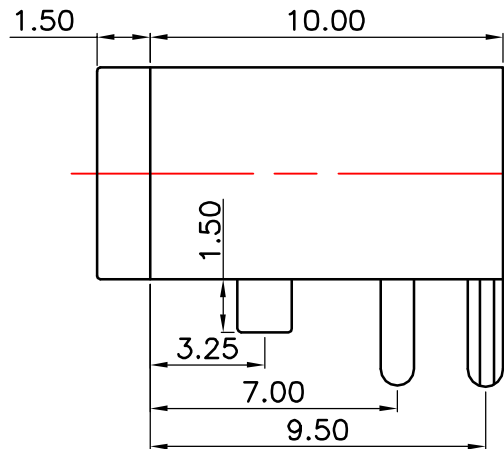
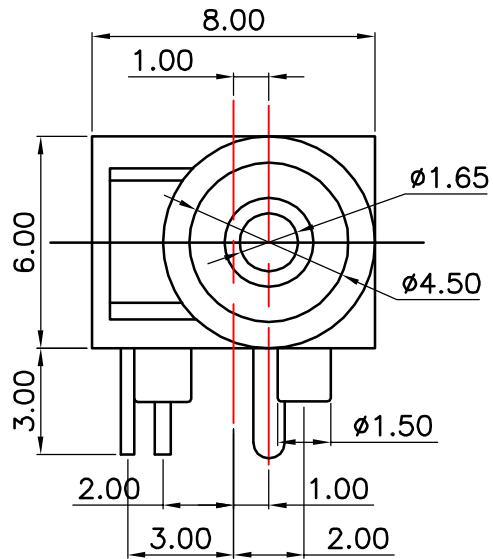
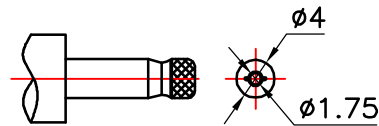
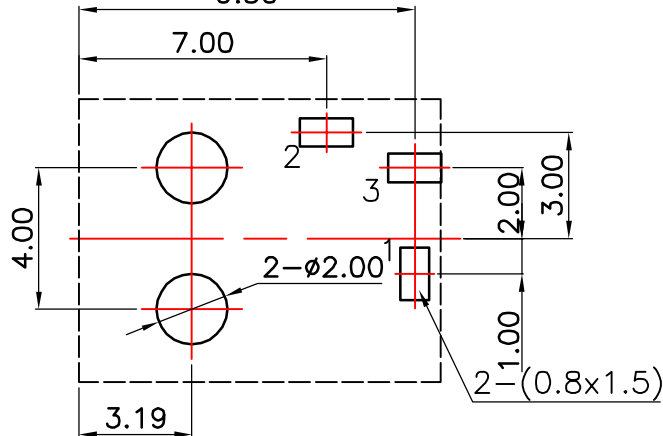


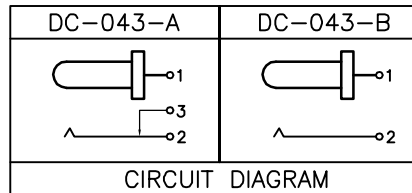
RoHS



P.C.B LAYOUT(copper-sided view)
9.50



DC MATE PLUG



Material:

contact pin插针	Au
plastic cement 塑胶	Nylon尼龙/PA46
Pin 引脚	Au
CONTACT A(P脚A)	Au

Main technical specifications:

Rated load(额定负荷):	DC30V 0.5A
Contact impedance(接触阻抗):	100m MAX
Insulation impedance(绝缘阻抗):	100M MIN
Welding resistance temperature(耐焊温度):	250 ± 5 ° 5s
OPERATING LIFE(电气寿命):	5,000 cycles
Usage temperature(使用温度):	-20 to 70
Operating humidity(使用湿度):	85% RH
Insertion and Extraction Force(插拔力)	3 ~ 20N
	1 2
	3 4
	5 6

public errand(公差): ±0.2mm unit(单位): mm

LCZY ELECTRONICS(SHEN ZHEN)CO.,LTD

COPYRIGHT RESERVED,PLEASE DO NOT COPY.

PART NAME	DC JACK			DRAWING	G.L CHEN	DWG.No.	LCZY
PART NO.	DC-043			CHECK	Z.LIU	REV.	A1
UNIT : mm	TOLERANCE OTHERWISE	UP TO 5	±0.2	ANGLE	APPROVAL	DATE	DC-09-2019
		ABOVE 5 ~ 30	±0.3			SCALE	2:1
		ABOVE 30	±0.5	0°±3'			
		ANGLE	±3'				

F

E

D

DC-043

B

A