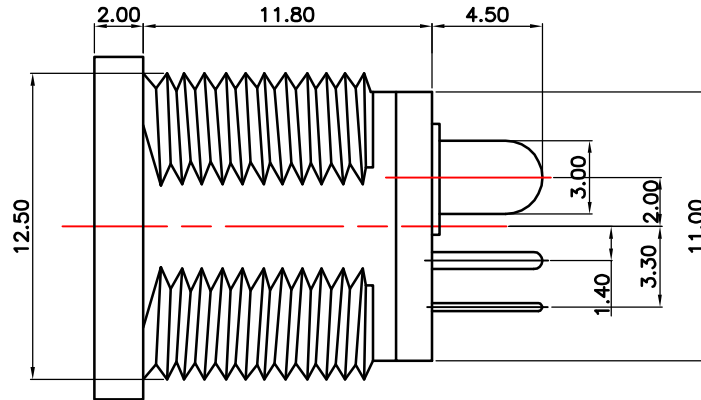
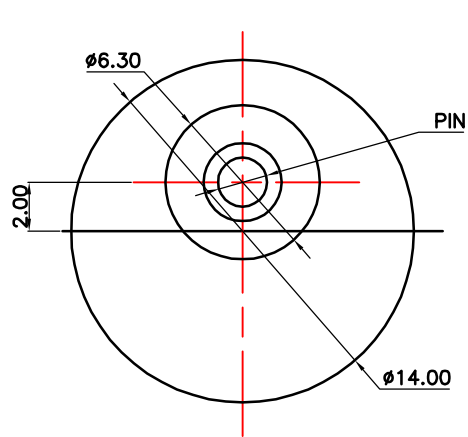
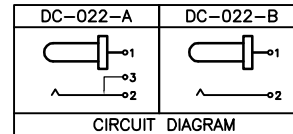
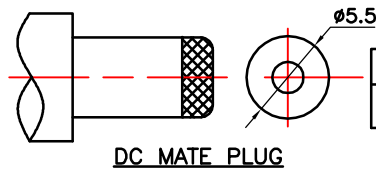
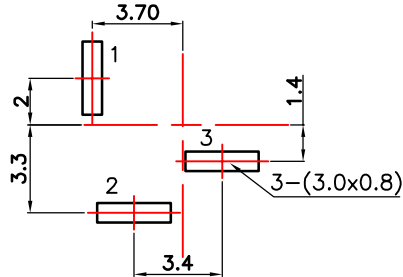


RoHS



P.C.B LAYOUT(Copper-side view)



Model No.	1	2	3
PIN	∅2.0	∅2.35	∅2.5

Material:

contact pin插针	Au
plastic cement 塑胶	Nylon尼龙/PA46
Pin 引脚	Au
CONTACT A(P脚A)	Au

Main technical specifications:

Rated load(额定负荷):	DC30V 0.5A						
Contact impedance(接触阻抗):	100m MAX						
Insulation impedance(绝缘阻抗):	100M MIN						
Welding resistance temperature(耐焊温度):	250 ± 5 ° 5s						
OPERATING LIFE(电气寿命):	5,000 cycles						
Usage temperature(使用温度):	-20 to 70						
Operating humidity(使用湿度):	85% RH						
Insertion and Extraction Force(插拔力)	3 ~ 20N						
	<table border="1"> <tr> <td>1</td> <td>2</td> </tr> <tr> <td>3</td> <td>4</td> </tr> <tr> <td>5</td> <td>6</td> </tr> </table>	1	2	3	4	5	6
1	2						
3	4						
5	6						

public errand(公差): ±0.2mm unit(单位): mm

LCZY ELECTRONICS(SHEN ZHEN)CO.,LTD

PART NAME	DC JACK			DRAWING	G.L CHEN	DWG.No.	LCZY
PART NO.	DC-022			CHECK	Z.LIU	REV.	A1
UNIT : mm	TOLERANCE	UP TO 5	±0.2	APPROVAL		DATE	DC-09-2019
	OTHERWISE	ABOVE 5 ~ 30	±0.3				
		ABOVE 30	±0.5	SCALE	2:1	PAGE	1 OF 1
		ANGLE	±3°				

COPYRIGHT RESERVED,PLEASE DO NOT COPY.

DC-022-□