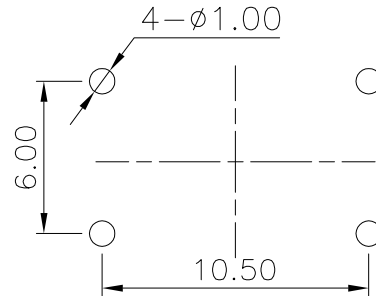
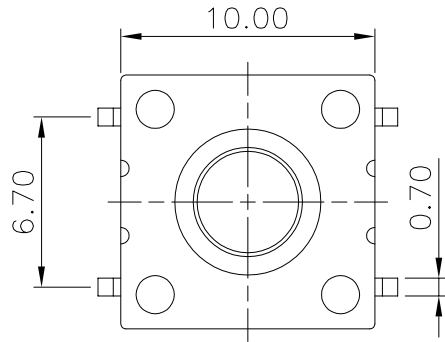
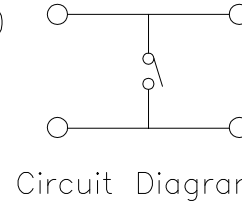


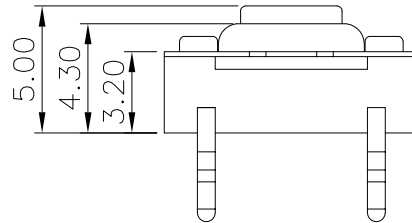
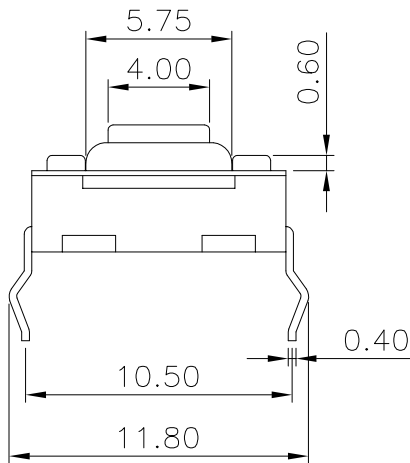
RoHS



PCB Layout(Pattern side)



Circuit Diagram



Height(高度) :

| | |
|---------|-----|
| NO.1 | |
| PART NO | H |
| D | |
| F | 5.0 |

Material: 防水等级IP68

| | |
|----------------|----------|
| Button 按钮 | PBT/LCP |
| Cover plate 盖板 | 铜 (镀银) |
| Shrapnel 弹片 | 不锈钢 (复银) |
| Base 底座 | PBT/LCP |
| Pin 引脚 | 磷铜 (镀银) |

Main technical specifications:

| | | | | | | | | | | | | | |
|---------------------------------------|---|---|------------|---|------------|---|------------|---|------------|---|------------|---|--|
| Rated load(额定负荷): | DC 12V 50mA | | | | | | | | | | | | |
| Contact impedance(接触阻抗): | 100m MAX | | | | | | | | | | | | |
| Insulation impedance(绝缘阻抗): | 100M MIN | | | | | | | | | | | | |
| Welding resistance temperature(耐焊温度): | 250 ± 5 ° 5s | | | | | | | | | | | | |
| OPERATING LIFE(电气寿命): | 100,000 cycles | | | | | | | | | | | | |
| Usage temperature(使用温度): | -25 to 85 | | | | | | | | | | | | |
| Operating humidity(使用湿度): | 85% RH | | | | | | | | | | | | |
| Trip(行程): | 0.35 ± 0.1mm | | | | | | | | | | | | |
| Operating force(操作力): | <table border="1"> <tr> <td>1</td> <td>90 ± 30gf</td> <td>2</td> <td>130 ± 30gf</td> </tr> <tr> <td>3</td> <td>180 ± 50gf</td> <td>4</td> <td>250 ± 50gf</td> </tr> <tr> <td>5</td> <td>350 ± 50gf</td> <td>6</td> <td></td> </tr> </table> | 1 | 90 ± 30gf | 2 | 130 ± 30gf | 3 | 180 ± 50gf | 4 | 250 ± 50gf | 5 | 350 ± 50gf | 6 | |
| 1 | 90 ± 30gf | 2 | 130 ± 30gf | | | | | | | | | | |
| 3 | 180 ± 50gf | 4 | 250 ± 50gf | | | | | | | | | | |
| 5 | 350 ± 50gf | 6 | | | | | | | | | | | |

public errand(公差) : ±0.2mm unit(单位) : mm

LCZY ELECTRONICS(SHEN ZHEN)CO.,LTD

| | | | | | | | |
|--------------|------------------------|--|-----------------------------|----------|----------|---------|------------|
| PART NAME | | SWITCH | | DRAWING | G.L CHEN | DWG.No. | LCZY |
| PART NO. | | K2-1842DP | | CHECK | Z.LIU | REV. | A1 |
| UNIT : mm | TOLERANCE OTHERWISE | UP TO 5 ABOVE 5~30 ABOVE 30 ANGLE | ±0.2 ±0.3 ±0.5 ±3' | APPROVAL | | DATE | K2-09-2019 |
| | ANGLE | 0°±3' | | SCALE | 2:1 | PAGE | 1 OF 1 |

COPYRIGHT RESERVED,PLEASE DO NOT COPY.

K2-1842DP- -