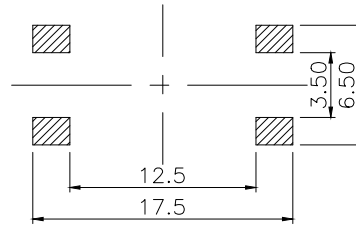
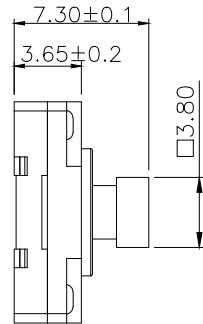
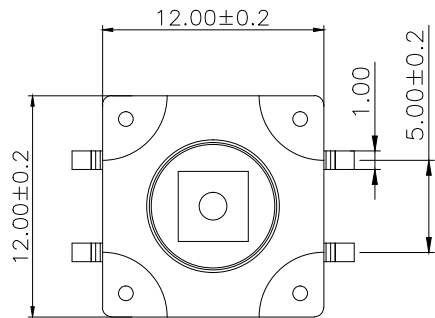
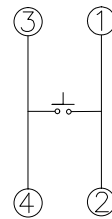


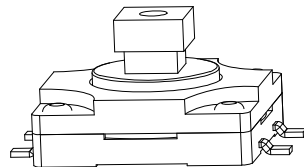
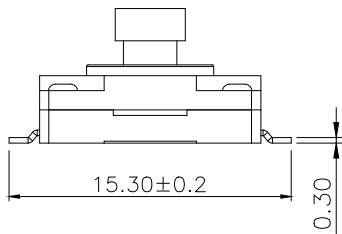
RoHS



PCB Layout (Pattern side)



Circuit Diagram



Height (高度) :

NO.1	
PART NO	H
D	7.3
F	

Material : 防水等级IP67

Button 按钮	PBT/LCP
Cover plate 盖板	PBT/LCP
Shrapnel 弹片	不锈钢 (复银)
Base 基座	PBT/LCP
Pin 引脚	磷铜 (镀银)

Main technical specifications:

Rated load (额定负荷) :	DC 12V 50mA			
Contact impedance (接触阻抗) :	100m MAX			
Insulation impedance (绝缘阻抗) :	100M MIN			
Welding resistance temperature (耐焊温度) :	250 ± 5 ° 5s			
OPERATING LIFE (电气寿命) :	100,000 cycles			
Usage temperature (使用温度) :	-25 to 85			
Operating humidity (使用湿度) :	85% RH			
Trip (行程) :	0.45 ± 0.1mm			
Operating force (操作力) :	1	90 ± 30gf	2	130 ± 30gf
	3	180 ± 50gf	4	250 ± 50gf
	5	350 ± 50gf	6	

public errand (公差) : ±0.2mm unit (单位) : mm

NO.2

LCZY ELECTRONICS(SHEN ZHEN)CO.,LTD

PART NAME		SWITCH		DRAWING	G.L CHEN	DWG.No.	LCZY
PART NO.		K2-1841ST		CHECK	Z.LIU	REV.	A1
UNIT : mm	TOLERANCE OTHERWISE	UP TO 5 ABOVE 5~30 ABOVE 30 ANGLE	±0.2 ±0.3 ±0.5 ±3'	ANGLE	APPROVAL	DATE	K2-09-2019
				0°±3'	SCALE	PAGE	1 OF 1

COPYRIGHT RESERVED,PLEASE DO NOT COPY.

K2-1841ST- -

F

E

D

B

A