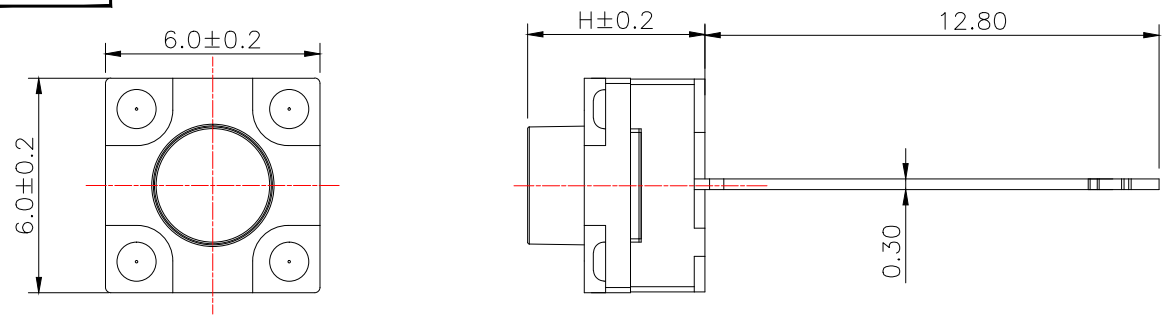


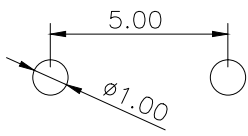
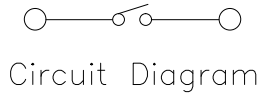
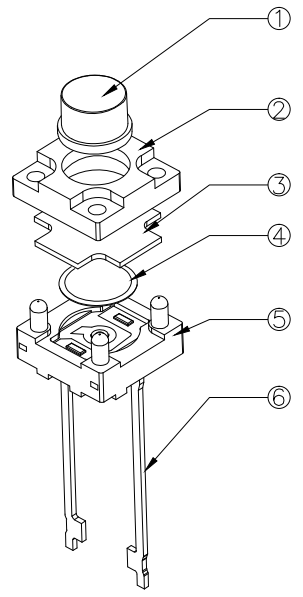
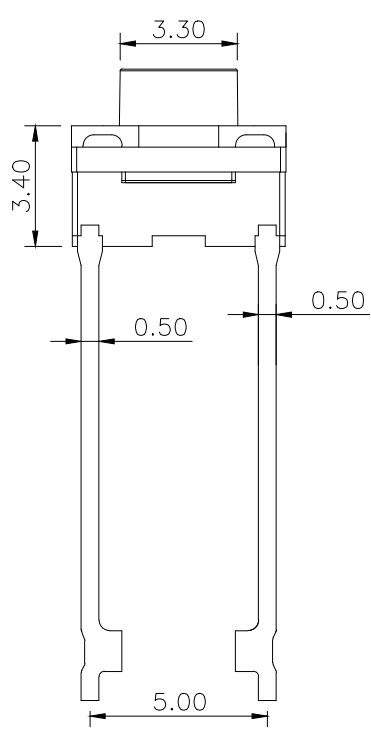
RoHS



Height(高度) :NO.1

9.0	J		T
8.5	I		S
8.0	H		R
7.5	G		Q
7.0	F		P
6.5	E		O
6.0	D		N
5.5	C		M
5.0	B		L
4.3	A	9.5	K
高度H(mm)	X=	高度H(mm)	X=

1
2
3
4



Material: 防水等级IP67

Button 按钮	PBT/LCP
Cover plate 盖板	PBT/LCP
Shrapnel 弹片	不锈钢(复银)
Base 基座	PBT/LCP
Pin 引脚	磷铜(镀银)

Main technical specifications:

Rated load(额定负荷):	DC 12V 50mA												
Contact impedance(接触阻抗):	100m MAX												
Insulation impedance(绝缘阻抗):	100M MIN												
Welding resistance temperature(耐焊温度):	250±5 ° 5s												
OPERATING LIFE(电气寿命):	100,000 cycles												
Usage temperature(使用温度):	-25 to 85												
Operating humidity(使用湿度):	85% RH												
Trip(行程):	0.30±0.1mm												
Operating force(操作力):	<table border="1"> <tr> <td>1</td> <td>90±30gf</td> <td>2</td> <td>130±30gf</td> </tr> <tr> <td>3</td> <td>160±50gf</td> <td>4</td> <td>250±50gf</td> </tr> <tr> <td>5</td> <td>350±50gf</td> <td>6</td> <td></td> </tr> </table>	1	90±30gf	2	130±30gf	3	160±50gf	4	250±50gf	5	350±50gf	6	
1	90±30gf	2	130±30gf										
3	160±50gf	4	250±50gf										
5	350±50gf	6											

public errand(公差) : ±0.2mm unit(单位) : mm

NO.2

LCZY ELECTRONICS(SHEN ZHEN)CO.,LTD

PART NAME		SWITCH		DRAWING	G.L CHEN	DWG.No.	LCZY
PART NO.		K2-1839DZ		CHECK	Z.LIU	REV.	A1
UNIT :	TOLERANCE	OTHERWISE	UP TO 5	ANGLE	APPROVAL	DATE	K2-09-2019
			ABOVE 5~30				
mm			ABOVE 30		SCALE	PAGE	1 OF 1
			ANGLE		2:1		

COPYRIGHT RESERVED,PLEASE DO NOT COPY.

F E D K2-1839DZ- B A