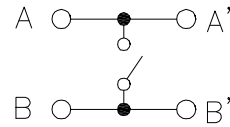
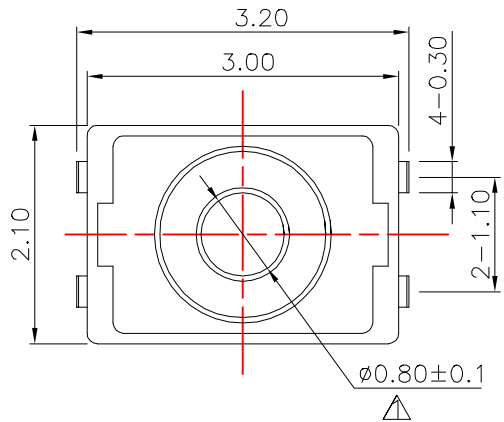
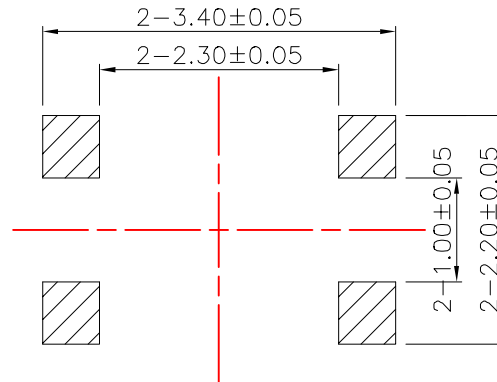
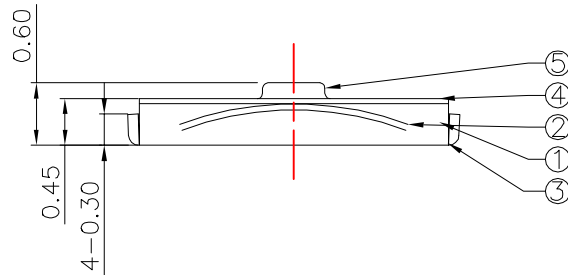


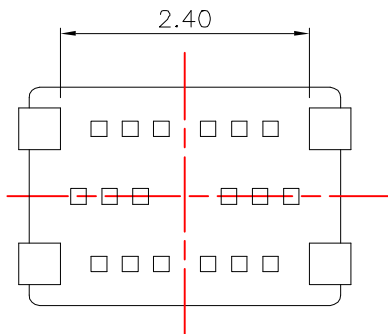
RoHS



Circuit Diagram



PCB Layout (Pattern Side)



Height (高度) :

NO.1	
PART NO	H
D	0.6
F	

Main technical specifications:

Rated load (额定负荷):	DC 12V 50mA			
Contact impedance (接触阻抗):	100m MAX			
Insulation impedance (绝缘阻抗):	100M MIN			
Welding resistance temperature (耐焊温度):	250 ± 5 ° 5s			
OPERATING LIFE (电气寿命):	500,000 cycles			
Usage temperature (使用温度):	-25 to 85			
Operating humidity (使用湿度):	85% RH			
Trip (行程):	0.15 ± 0.05mm			
Operating force (操作力):	1	90 ± 30gf	2	130 ± 30gf
	3	180 ± 50gf	4	250 ± 50gf
	5	350 ± 50gf	6	

public errand (公差) : ±0.2mm unit (单位) : mm

NO.2

LCZY ELECTRONICS(SHEN ZHEN)CO.,LTD

PART NAME		SWITCH		DRAWING	G.L CHEN	DWG.No.	LCZY
PART NO.		K2-1837UQ		CHECK	Z.LIU	REV.	A1
UNIT :	TOLERANCE OTHERWISE	UP TO 5 ±0.2 ABOVE 5~30 ±0.3 ABOVE 30 ±0.5 ANGLE ±3'	ANGLE	APPROVAL		DATE	K2-09-2019
				SCALE	2:1	PAGE	1 OF 1

COPYRIGHT RESERVED,PLEASE DO NOT COPY.

K2-1837UQ- -