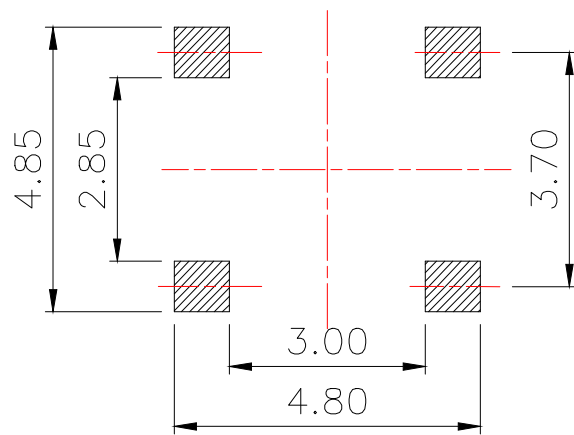
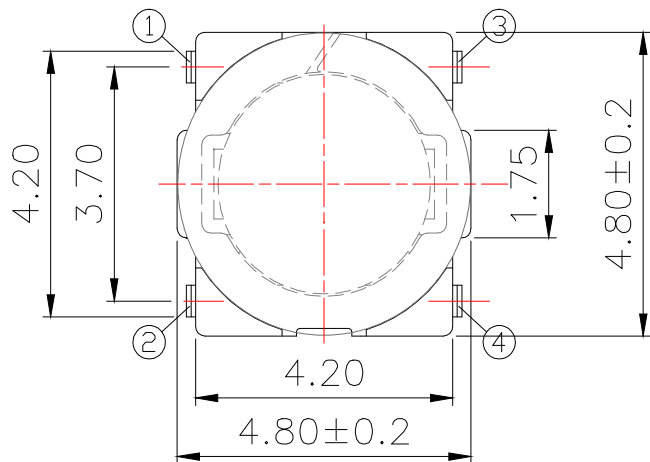
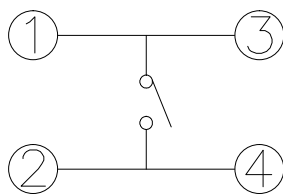
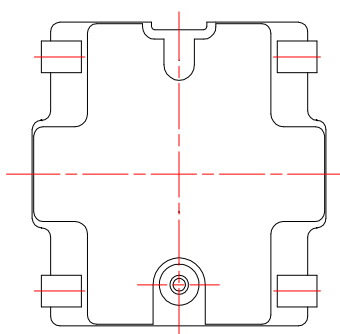
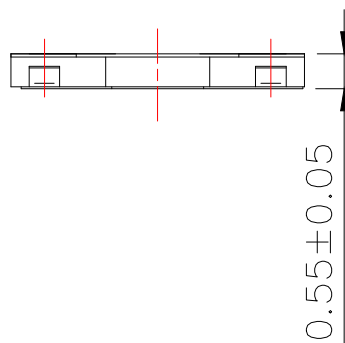
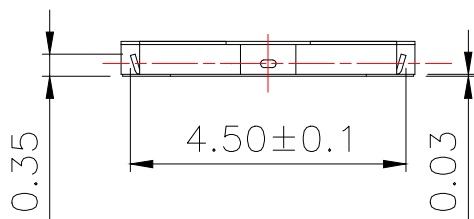


ROHS



PCB Layout (Pattern Side) Height(高度) :

NO.1	
PART NO	H
D	0.55
F	



Circuit Diagram

Main technical specifications:

Rated load(额定负荷):	DC 12V 50mA	
Contact impedance(接触阻抗):	100m MAX	
Insulation impedance(绝缘阻抗):	100M MIN	
Welding resistance temperature(耐焊温度):	250 ± 5 ° 5s	
OPERATING LIFE(电气寿命):	100,000 cycles	
Usage temperature(使用温度):	-25 to 85	
Operating humidity(使用湿度):	85% RH	
Trip(行程):	0.2 ± 0.1mm	
Operating force(操作力):	1 90 ± 30gf	2 130 ± 30gf
	3 180 ± 50gf	4 250 ± 50gf
	5 350 ± 50gf	6

NO.2

④	Dust cover	—	1	Polyimide	—	—
③	Terminal	—	4	Phosphor Bronze	Plating silver	—
②	Contact	—	1	F.Ag/SUS	Plating silver	—
①	Base	—	1	LCP	Black	—
ITEM	PART NAME	TER'NO.	QTY.	MATERIAL	FINISHING	REMARK

APPROVALS		DATE		LCZY ELECTRONICS(SHEN ZHEN)CO.,LTD		
DRAWN	Z LIU	2019-09-18		TITLE:	TACT SWITCHES	
CHECKED				PART NO.	K2-1829UQ- -	
APPROVALS				UNIT: mm	SCALE: 1:1	PROJ:
TOLERANCES ARE	30~以上 10~30 5~10 ~ 5	±0.30 ±0.20 ±0.15 ±0.10	ANGLE ±2'	DRAWING NO.		SHEET 1 OF 1

—	A	—	NEW	—	—	—
ECN NO.	REV.	DATE.	DESCRIPTION.	CHANGE.	CHECK.	APPRO.