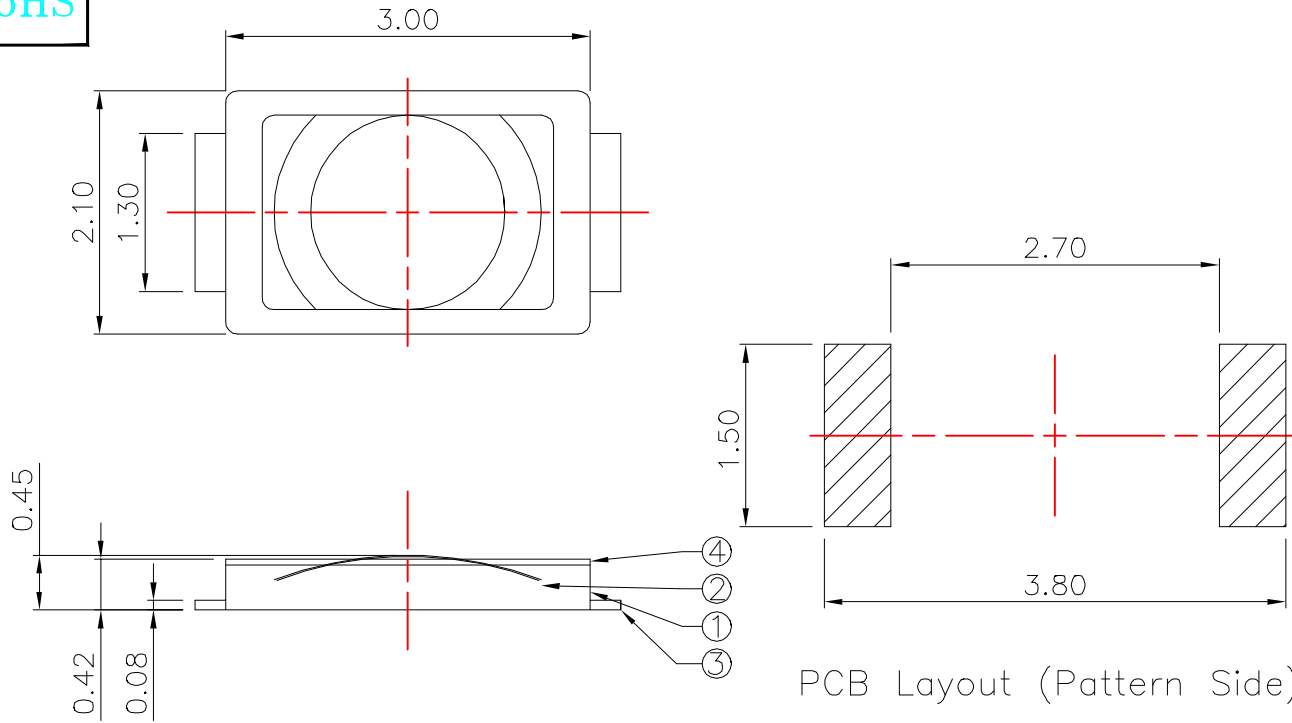


RoHS



Height(高度) :

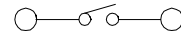
NO.1	
PART NO	H
D	0.45
F	0.55

PCB Layout (Pattern Side)

Main technical specifications:

Rated load(额定负荷):	DC 12V 50mA			
Contact impedance(接触阻抗):	100m MAX			
Insulation impedance(绝缘阻抗):	100M MIN			
Welding resistance temperature(耐焊温度):	250 ± 5 ° 5s			
OPERATING LIFE(电气寿命):	100,000 cycles			
Usage temperature(使用温度):	-25 to 85			
Operating humidity(使用湿度):	85% RH			
Trip(行程):	0.15 ± 0.05mm			
Operating force(操作力):	1	90 ± 30gf	2	130 ± 30gf
	3	180 ± 50gf	4	250 ± 50gf
	5	350 ± 50gf	6	

Circuit Diagram



public errand(公差) : ±0.2mm unit(单位) : mm

LCZY ELECTRONICS(SHEN ZHEN)CO.,LTD

COPYRIGHT RESERVED,PLEASE DO NOT COPY.

PART NAME		SWITCH		DRAWING		G.L CHEN		DWG.No.		LCZY	
PART NO.		K2-1827SR		CHECK		Z.LIU		REV.		A1	
UNIT :	mm	TOLERANCE OTHERWISE	UP TO 5	±0.2	ANGLE	APPROVAL	DATE	PAGE	K2-09-2019	1 OF 1	
			ABOVE 5~30	±0.3							
			ABOVE 30	±0.5		SCALE	2:1				
			ANGLE	±3'							

K2-1827SR- -

B

A