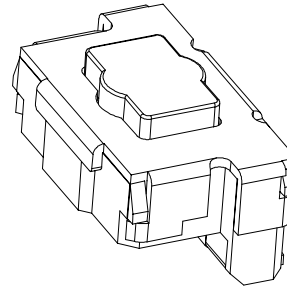
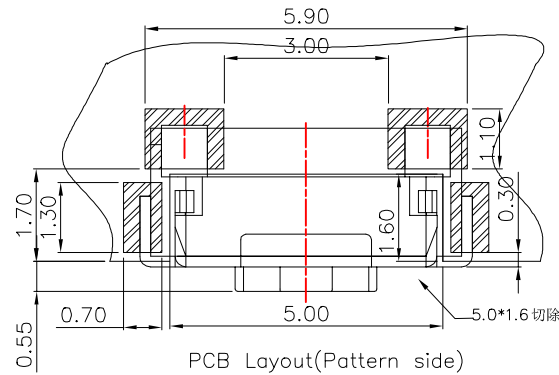
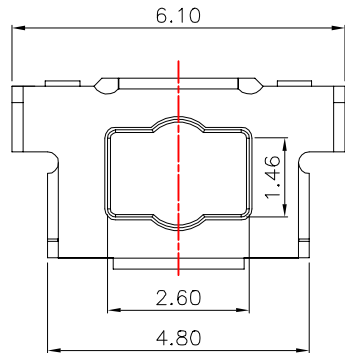


RoHS

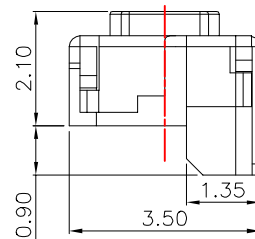
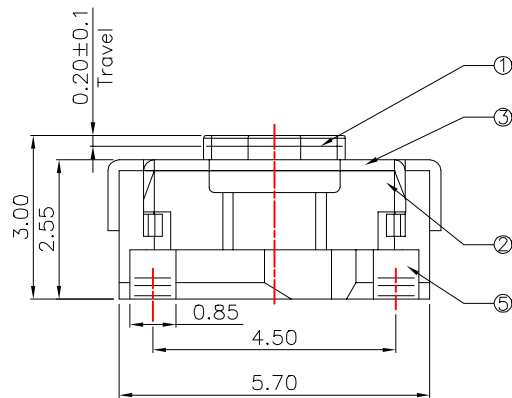


Height(高度) :

NO.1	
PART NO	H
D	3.0
F	

Material: 沉板式侧按键

Button 按钮	PBT/LCP耐温
Cover plate 盖板	铜 (镀银)
Shrapnel 弹片	不锈钢 (复银)
Base 基座	PBT/LCP耐温
Pin 引脚	磷铜 (镀银)



Main technical specifications:

Rated load(额定负荷):	DC 12V 50mA	
Contact impedance(接触阻抗):	100m MAX	
Insulation impedance(绝缘阻抗):	100M MIN	
Welding resistance temperature(耐焊温度):	250 ± 5 ° 5s	
OPERATING LIFE(电气寿命):	100,000 cycles	
Usage temperature(使用温度):	-25 to 85	
Operating humidity(使用湿度):	85% RH	
Trip(行程):	0.2 ± 0.1mm	
Operating force(操作力):	1 90 ± 30gf	2 130 ± 30gf
	3 180 ± 50gf	4 250 ± 50gf
	5 350 ± 50gf	6

public errand (公差) : ±0.2mm unit (单位) : mm

LCZY ELECTRONICS(SHEN ZHEN)CO.,LTD

COPYRIGHT RESERVED,PLEASE DO NOT COPY.

PART NAME		SWITCH		DRAWING	G.L CHEN	DWG.No.	LCZY
PART NO.		K2-1826FM		CHECK	Z.LIU	REV.	A1
UNIT :	TOLERANCE	OTHERWISE	UP TO 5	ANGLE	APPROVAL	DATE	K2-09-2019
			ABOVE 5~30				
mm			ABOVE 30		SCALE	PAGE	1 OF 1
			ANGLE		2:1		

K2-1826FM- -

F

E

D

B

A