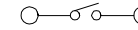
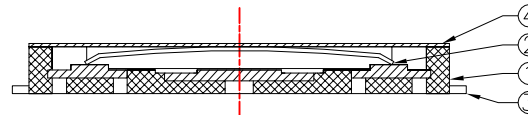
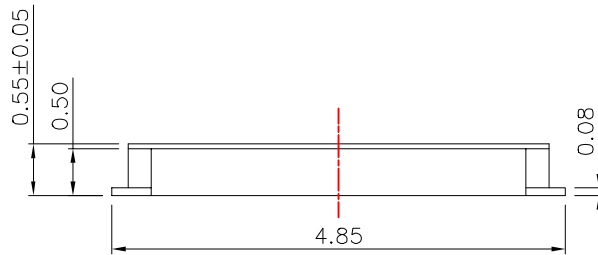


RoHS



Circuit Diagram

Height (高度) :

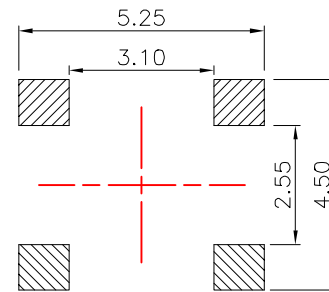
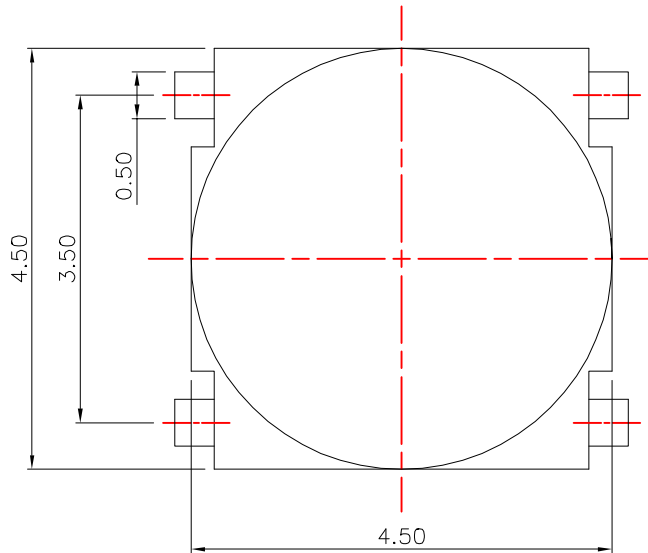
NO.1	
PART NO	H
D	0.55
F	

Main technical specifications:

Rated load (额定负荷):	DC 12V 50mA	
Contact impedance (接触阻抗):	100m MAX	
Insulation impedance (绝缘阻抗):	100M MIN	
Welding resistance temperature (耐焊温度):	250 ± 5 ° 5s	
OPERATING LIFE (电气寿命):	100,000 cycles	
Usage temperature (使用温度):	-25 to 85	
Operating humidity (使用湿度):	85% RH	
Trip (行程):	0.2 ± 0.1mm	
Operating force (操作力):	1 90 ± 30gf	2 130 ± 30gf
	3 180 ± 50gf	4 250 ± 50gf
	5 350 ± 50gf	6

NO.2

public errand (公差) : ±0.2mm unit (单位) : mm



PCB Layout (Pattern Side)

Note:
Travel: 0.20 ± 0.1mm

LCZY ELECTRONICS(SHEN ZHEN)CO.,LTD

COPYRIGHT RESERVED,PLEASE DO NOT COPY.

PART NAME		SWITCH		DRAWING	G.L CHEN	DWG.No.	LCZY
PART NO.		K2-1824SR		CHECK	Z.LIU	REV.	A1
UNIT :	TOLERANCE OTHERWISE	UP TO 5	±0.2	ANGLE	APPROVAL	DATE	K2-09-2019
		ABOVE 5 ~ 30	±0.3				
mm		ABOVE 30	±0.5	0°±3'	SCALE	PAGE	1 OF 1
		ANGLE	±3'		2:1		

K2-1824SR- -

F

E

D

B

A