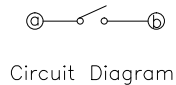
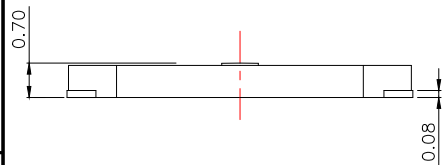
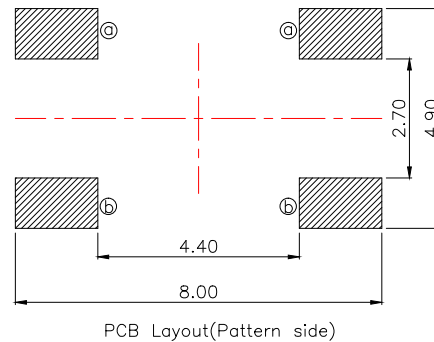
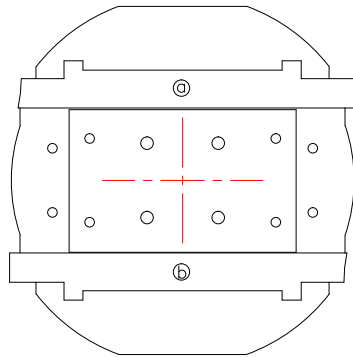
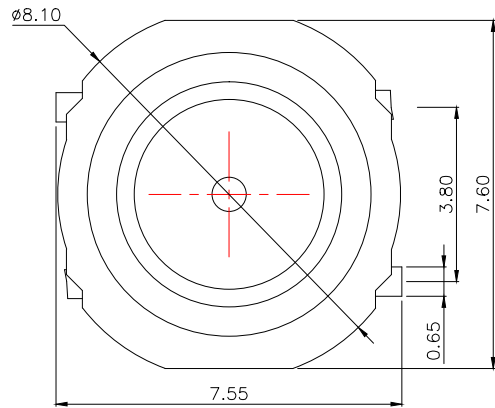


RoHS



Height(高度) :

NO.1	
PART NO	H
D	0.7
F	

Material: 超薄

Button 按钮	PBT/LCP耐温
Cover plate 盖板	铜 (镀银)
Shrapnel 弹片	不锈钢 (复层)
Base 基座	PBT/LCP耐温
Pin 引脚	磷铜 (镀银)

Main technical specifications:

Rated load(额定负荷):	DC 12V 50mA			
Contact impedance(接触阻抗):	100m MAX			
Insulation impedance(绝缘阻抗):	100M MIN			
Welding resistance temperature(耐焊温度):	250 ± 5 ° 5s			
OPERATING LIFE(电气寿命):	100,000 cycles			
Usage temperature(使用温度):	-25 to 85			
Operating humidity(使用湿度):	85% RH			
Trip(行程):	0.25 ± 0.1mm			
Operating force(操作力):	1	90 ± 30gf	2	130 ± 30gf
	3	180 ± 50gf	4	250 ± 50gf
	5	350 ± 50gf	6	

public errand (公差) : ±0.2mm unit (单位) : mm

NO.2

LCZY ELECTRONICS(SHEN ZHEN)CO.,LTD

PART NAME		SWITCH		DRAWING	G.L CHEN	DWG.No.	LCZY
PART NO.		K2-1188SN		CHECK	Z.LIU	REV.	A1
UNIT : mm	TOLERANCE OTHERWISE	UP TO 5 ±0.2	ABOVE 5~30 ±0.3	APPROVAL	SCALE	DATE	K2-09-2019
		ABOVE 30 ±0.5	ANGLE ±3°			PAGE	1 OF 1

COPYRIGHT RESERVED,PLEASE DO NOT COPY.

K2-1188SN- -

F

E

D

B

A