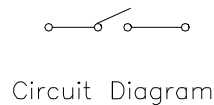
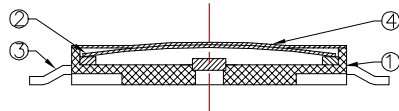
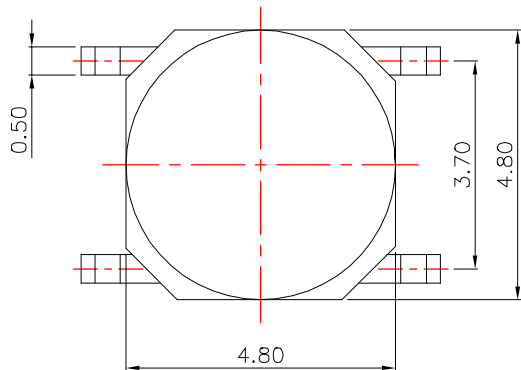


RoHS



Height(高度) :

NO.1	
PART NO	H
D	0.75
F	

Material:

Button 按钮	贴膜
Cover plate 盖板	无盖板
Shrapnel 弹片	不锈钢(复银)
Base 基座	PBT/LCP耐温280
Pin 引脚	磷铜(镀银)

Main technical specifications:

Rated load(额定负荷):	DC 12V 50mA	
Contact impedance(接触阻抗):	100m MAX	
Insulation impedance(绝缘阻抗):	100M MIN	
Welding resistance temperature(耐焊温度):	250 ± 5 ° 5s	
OPERATING LIFE(电气寿命):	100,000 cycles	
Usage temperature(使用温度):	-25 to 85	
Operating humidity(使用湿度):	85% RH	
Trip(行程):	0.2 ± 0.05mm	
Operating force(操作力):	1 90 ± 30gf	2 130 ± 30gf
	3 180 ± 50gf	4 250 ± 50gf
	5 350 ± 50gf	6

NO.2

public errand(公差) : ±0.2mm unit(单位) : mm

LCZY ELECTRONICS(SHEN ZHEN)CO.,LTD

PART NAME		SWITCH		DRAWING	G.L CHEN	DWG.No.	LCZY
PART NO.		K2-1187SN		CHECK	Z.LIU	REV.	A1
UNIT :	TOLERANCE OTHERWISE	UP TO 5	±0.2	APPROVAL	DATE	K2-09-2019	K2-09-2019
		ABOVE 5~30	±0.3				
mm		ABOVE 30	±0.5	SCALE	PAGE	1 OF 1	
		ANGLE	±3°				

COPYRIGHT RESERVED,PLEASE DO NOT COPY.

K2-1187SN- -