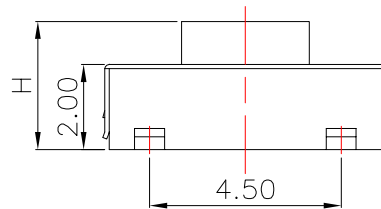
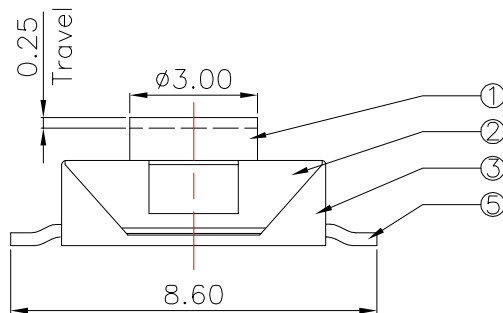
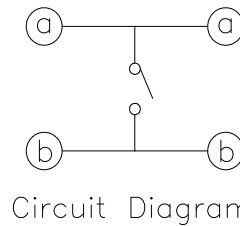
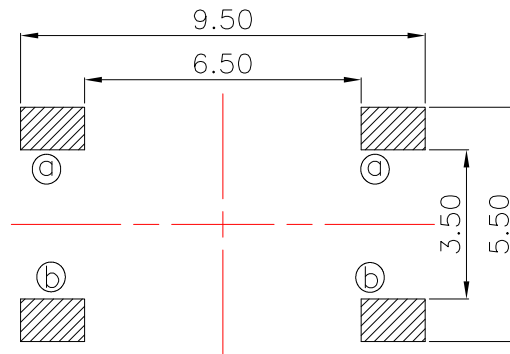
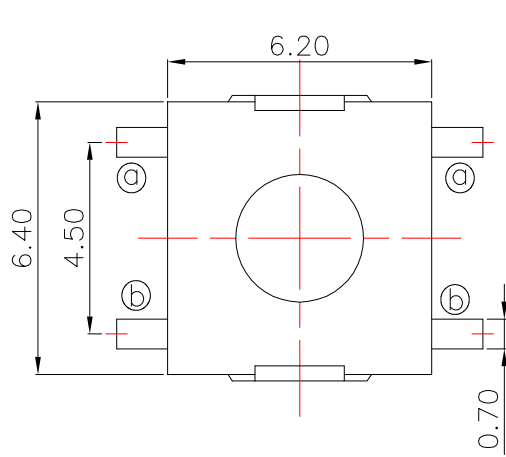


RoHS

Height(高度) :NO.1



5.0	J		T
4.8	I		S
4.5	H		R
4.3	G		Q
4.0	F		P
3.7	E		O
3.4	D		N
3.1	C		M
2.7	B	5.5	L
2.5	A	5.2	K
高度H(mm)	X=	高度H(mm)	X=

Material:

Button 按钮	PPA/LCP耐温280
Cover plate 盖板	铜 (镀银)
Shrapnel 弹片	不锈钢 (复银)
Base 基座	PPA/LCP耐温280
Pin 引脚	磷铜 (镀银)

Main technical specifications:

Rated load(额定负荷):	DC 12V 50mA
Contact impedance(接触阻抗):	100m MAX
Insulation impedance(绝缘阻抗):	100M MIN
Welding resistance temperature(耐焊温度):	250 ± 5 ° 5s
OPERATING LIFE(电气寿命):	100,000 cycles
Usage temperature(使用温度):	-25 to 85
Operating humidity(使用湿度):	85% RH
Trip(行程):	0.25 ± 0.1mm
Operating force(操作力):	1 90 ± 30gf 2 130 ± 30gf
	3 180 ± 50gf 4 250 ± 50gf
	5 350 ± 50gf 6

public errand (公差) : ±0.2mm unit (单位) : mm

LCZY ELECTRONICS(SHEN ZHEN)CO.,LTD

PART NAME		SWITCH		DRAWING	G.L CHEN	DWG.No.	LCZY
PART NO.		K2-1157SP		CHECK	Z.LIU	REV.	A1
UNIT : mm	TOLERANCE	UP TO 5	±0.2	APPROVAL	DATE	K2-09-2019	K2-09-2019
	OTHERWISE	ABOVE 5~30	±0.3				
		ABOVE 30	±0.5	SCALE	2:1	PAGE	1 OF 1
		ANGLE	±3°				

COPYRIGHT RESERVED,PLEASE DO NOT COPY.

K2-1157SP