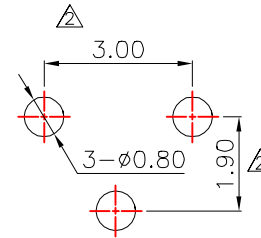
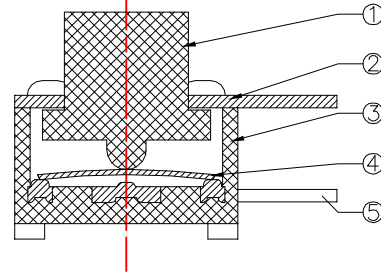
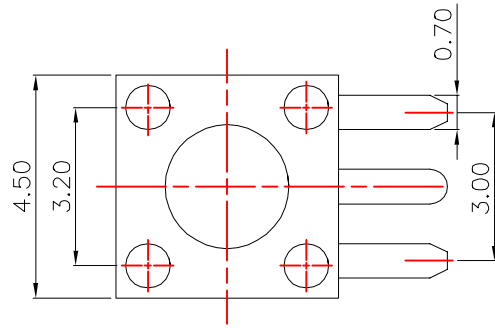


RoHS

Height(高度): NO.1

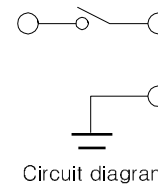
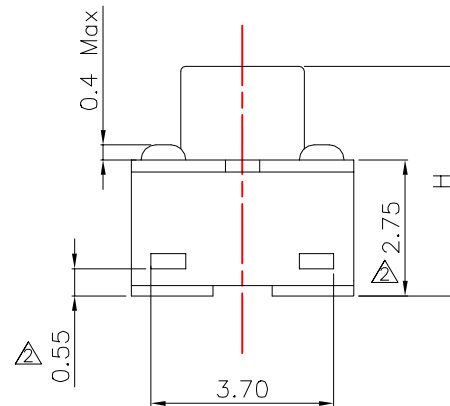
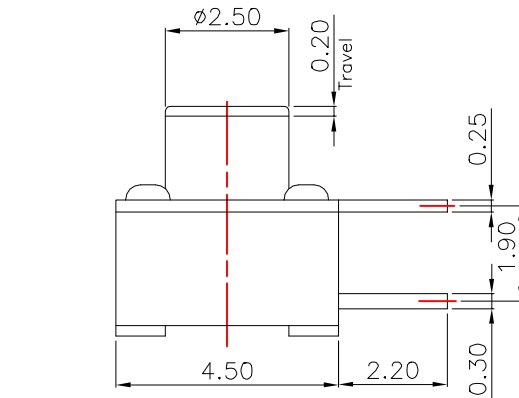
8.0	J		T
7.5	I		S
7.0	H		R
6.5	G		Q
6.0	F	11.0	P
5.5	E	10.5	O
5.0	D	10.0	N
4.8	C	9.5	M
4.5	B	9.0	L
4.3	A	8.5	K
高度H(mm)	X=	高度H(mm)	X=



PCB Layout(Pattern Side)

Material:

Button 按钮	PPA/LCP
Cover plate 盖板	铁 (镀银)
Shrapnel 弹片	不锈钢 (复银)
Base 底座	PPA/LCP
Pin 引脚	磷铜 (镀银)



Circuit diagram

Main technical specifications:

Rated load(额定负荷):	DC 12V 50mA	
Contact impedance(接触阻抗):	100m MAX	
Insulation impedance(绝缘阻抗):	100M MIN	
Welding resistance temperature(耐焊温度):	250 ± 5 ° 5s	
OPERATING LIFE(电气寿命):	100,000 cycles	
Usage temperature(使用温度):	-25 to 85	
Operating humidity(使用湿度):	85% RH	
Trip(行程):	0.20 ± 0.1mm	
Operating force(操作力):	1 90 ± 30gf	2 130 ± 30gf
	3 180 ± 50gf	4 250 ± 50gf
	5 350 ± 50gf	6

public errand(公差): ±0.2mm unit(单位): mm

NO.2

LCZY ELECTRONICS(SHEN ZHEN)CO.,LTD

PART NAME		SWITCH		DRAWING	G.L CHEN	DWG.No.	LCZY
PART NO.		K2-1109DE		CHECK	Z.LIU	REV.	A1
UNIT : mm	TOLERANCE	UP TO 5	±0.2	APPROVAL	DATE	K2-09-2019	K2-09-2019
	OTHERWISE	ABOVE 5~30	±0.3				
		ABOVE 30	±0.5	SCALE	2:1	PAGE	1 OF 1
		ANGLE	±3°				

COPYRIGHT RESERVED,PLEASE DO NOT COPY.

K2-1109DE- -