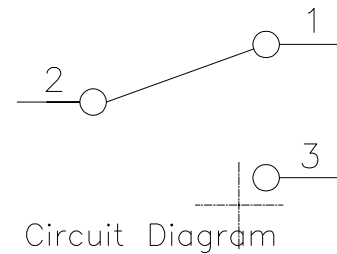
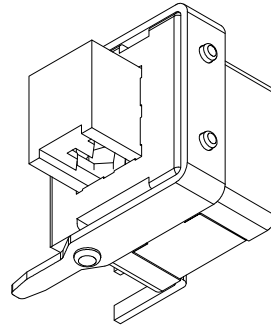
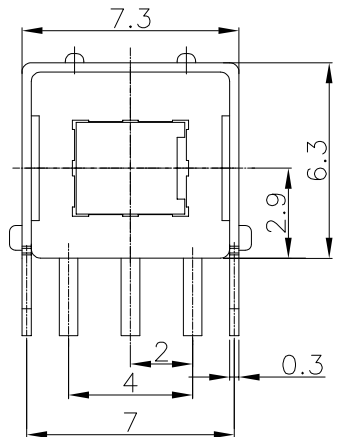


RoHS

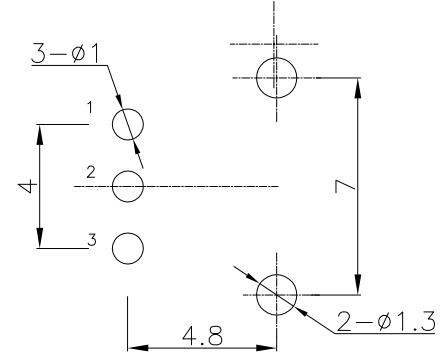
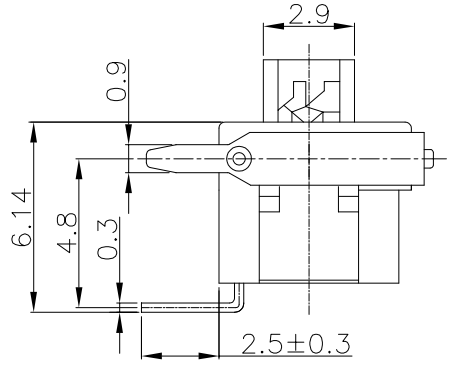
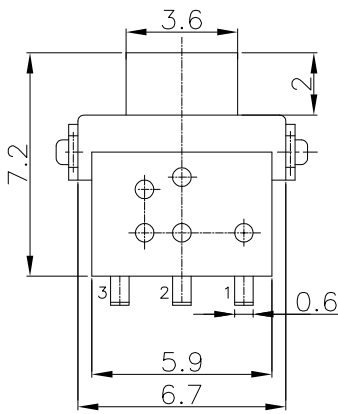


function(功能) :

NO.1	
PART NO	
L	自锁
N	无锁

Material:

Button 按钮	PPA
crochet hook钩针	不锈钢 (复银)
spring 弹簧	黄铜 (镀银)
Base 基座	PPA
Pin 引脚	铜 (镀银)
Upper cover上盖	PPA



Main technical specifications:

Rated load(额定负荷):	DC 30V 0.1A	
Contact impedance(接触阻抗):	100m MAX	
Insulation impedance(绝缘阻抗):	100M MIN	
Welding resistance temperature(耐焊温度):	250 ± 5 ° 5s	
OPERATING LIFE (电气寿命):	10,000 cycles	
Usage temperature (使用温度):	-25 to 80	
Operating humidity (使用湿度):	85% RH	
Trip(行程):	2.0 ± 0.2mm	
Operating force(操作力):	1	2
	3	4
	5	6
	250 ± 50gf	
	NO.2	

public errand (公差) : ±0.2mm unit (单位) : mm

LCZY ELECTRONICS(SHEN ZHEN)CO.,LTD

COPYRIGHT RESERVED,PLEASE DO NOT COPY.

PART NAME		SWITCH		DRAWING		G.L CHEN		DWG.No.		LCZY	
PART NO.		K8-5854T		CHECK		Z.LIU		REV.		A1	
UNIT :	TOLERANCE	OTHERWISE	UP TO 5	±0.2	ANGLE	APPROVAL		DATE		K8-09-2019	
						SCALE		PAGE		1 OF 1	
mm			ABOVE 5~30	±0.3	0°±3'	2:1		PAGE			

K8-5854T- -