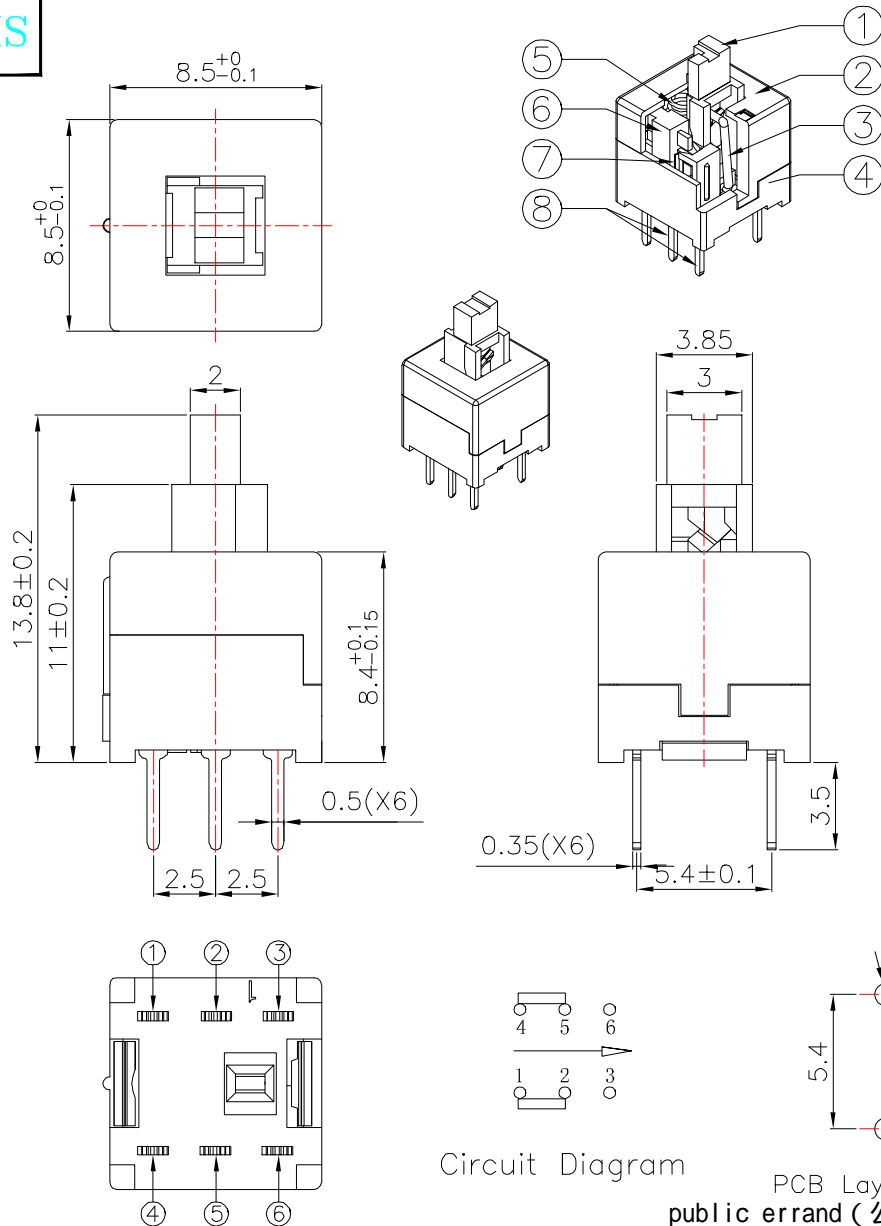


RoHS



function(功能) :

NO.1	
PART NO	
L	自锁
N	无锁

Material:

Button 按钮	POM
crochet hook钩针	不锈钢 (复银)
spring 弹簧	黄铜 (镀银)
Base 底座	PA66
Pin 引脚	铜 (镀银)
Upper cover上盖	PA66

Main technical specifications:

Rated load(额定负荷):	DC 30V 0.1A	
Contact impedance(接触阻抗):	100m MAX	
Insulation impedance(绝缘阻抗):	100M MIN	
Welding resistance temperature(耐焊温度):	250 ± 5 ° 5s	
OPERATING LIFE(电气寿命):	10,000 cycles	
Usage temperature(使用温度):	-25 to 80	
Operating humidity(使用湿度):	85% RH	
Trip(行程):	2.4 ± 0.3mm	
Operating force(操作力):	1	2
	3	4
	250 ± 100g	
	5	6
	NO.2	

LCZY ELECTRONICS(SHEN ZHEN)CO.,LTD

COPYRIGHT RESERVED,PLEASE DO NOT COPY.

PART NAME		SWITCH		DRAWING		G.L CHEN		DWG.No.		LCZY	
PART NO.		K8-8585D		CHECK		Z.LIU		REV.		A1	
UNIT :	TOLERANCE OTHERWISE	UP TO 5	±0.2	ANGLE	APPROVAL	DATE	K8-09-2019	SCALE	2:1	PAGE	1 OF 1
		ABOVE 5~30	±0.3								
mm		ABOVE 30	±0.5								

K8-8585D- -