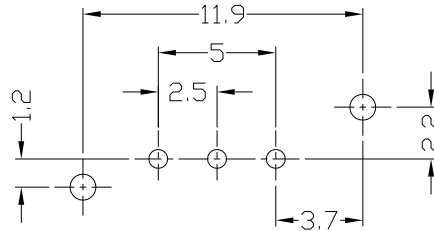
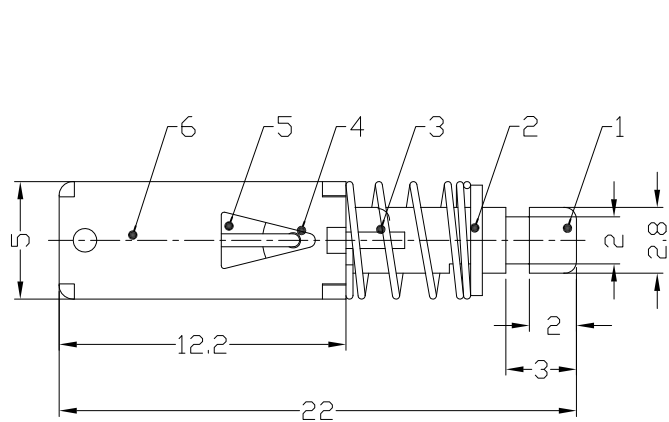
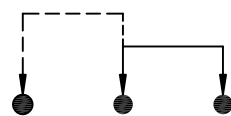


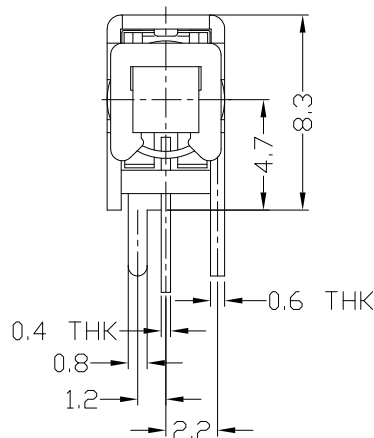
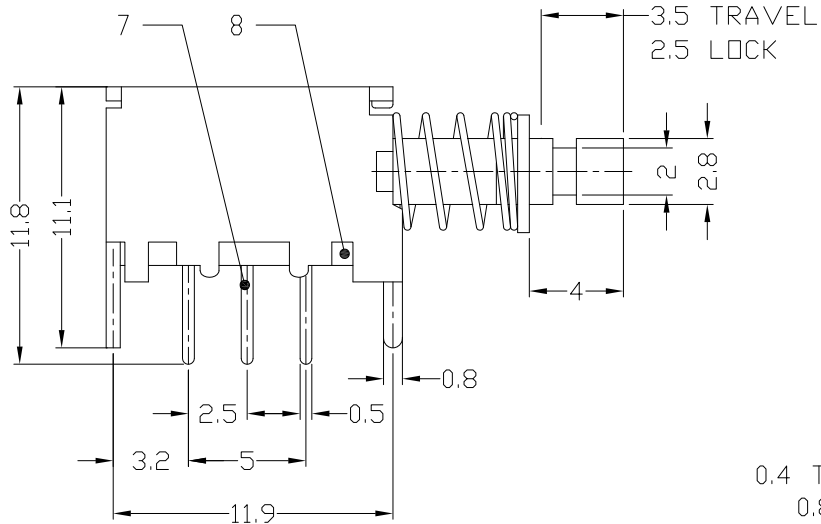
RoHS



P.C.B LAYOUT



CIRCUIT DIAGRAM



public errand (公差) : ±0.2mm unit (单位) : mm

function(功能) :

NO.1	
PART NO	
L	自锁
N	无锁

Material:

Button 按钮	尼龙
crochet hook钩针	不锈钢 (复银)
spring 弹簧	黄铜 (镀银)
Base 基座	电木
Pin 引脚	铜 (镀银)
housing外壳	铁

Main technical specifications:

Rated load(额定负荷):	DC 50V 0.3A	
Contact impedance(接触阻抗):	100m MAX	
Insulation impedance(绝缘阻抗):	100M MIN	
Welding resistance temperature(耐焊温度):	235波峰焊	
OPERATING LIFE(电气寿命):	10,000 cycles	
Usage temperature(使用温度):	-25 to 80	
CIRCUIT	1P2T	NON-SHORTING
Trip(行程):	3.5 ± 0.3mm	
Operating force(操作力):	1	2
	3	4
	5	6
NO.2		
250 ± 100g		

LCZY ELECTRONICS(SHEN ZHEN)CO.,LTD

PART NAME		SWITCH		DRAWING	G.L CHEN	DWG.No.	LCZY
PART NO.		K8-12E05		CHECK	Z.LIU	REV.	A1
UNIT : mm	TOLERANCE OTHERWISE	UP TO 5	±0.2	ANGLE	APPROVAL	DATE	K8-09-2019
		ABOVE 5~30	±0.3			PAGE	1 OF 1
		ABOVE 30	±0.5	SCALE	2:1		
		ANGLE	±3°				

COPYRIGHT RESERVED,PLEASE DO NOT COPY.

K8-12E05- -