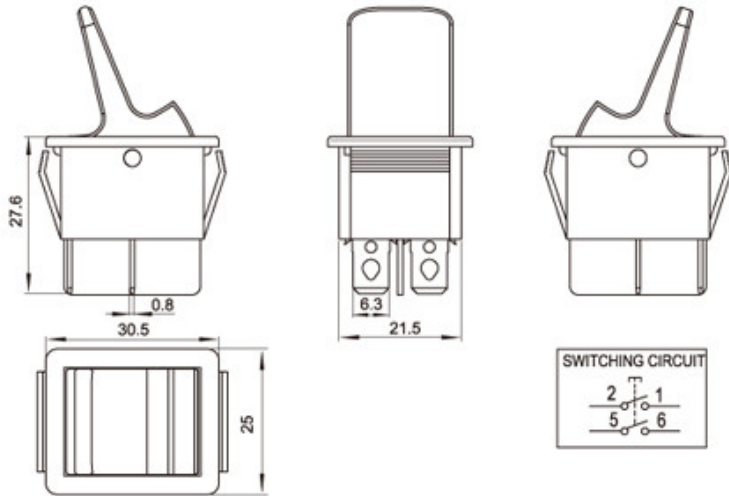




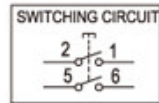
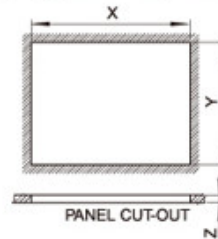
RoHS Compliant
2002/95/EC

REV.	ECN. NO.	APPD.

DIMENSIONS



PANEL CUT-OUT		
Z	Y	X
0.70~1.25	13.5~13.7	28.9~29.1
1.25~2.00	13.5~13.7	29.1~29.2
2.00~3.00	13.5~13.7	29.2~29.3



项目 Item	参数 Parameter
额定电流、电压 Rated voltage Rated current	15250V20A125V
绝缘电阻 Insulated resistance	≥100MΩ
接触电阻 Contact resistance	≤50mΩ
介电强度(极间) Dielectric strength	≥1500VAC/5S
电器寿命 Endurance	≥10000 Cycles
使用温度 Ambient temperature	T 85

技术要求

- 总装后表面光洁，无划伤、陷点，基座无裂痕；
- 按钮按动灵活、声音清脆，无卡滞、杂音等现象。

8						UNITS	mm	LONGCHUANG ZHONGYE (HK)CO.,LIMITED				
7						MAT'L						
6						SEE NOTE		TITLE:	Rocker Switch			PART NO.:
5						FINISH		DR:				DWG NO.:
4						SEE NOTE		CHKD:				RS606-2010001EBB
3						Q'TY		APPD:	SCALE	SHEET	REV.	CUSTOMER
2									4:1	1/1	A	DRAWING
1												
NO.	PARTS	MATERIAL	Q'TY	FINISHING		THESE DRAWINGS AND SPECIFICATIONS ARE THE PROPERTY OF ACCURATE INNOTECH INC AND SHALL NOT BE REPRODUCED, COPIED OR USED IN ANY MANNER WITHOUT THE PRIOR WRITTE						