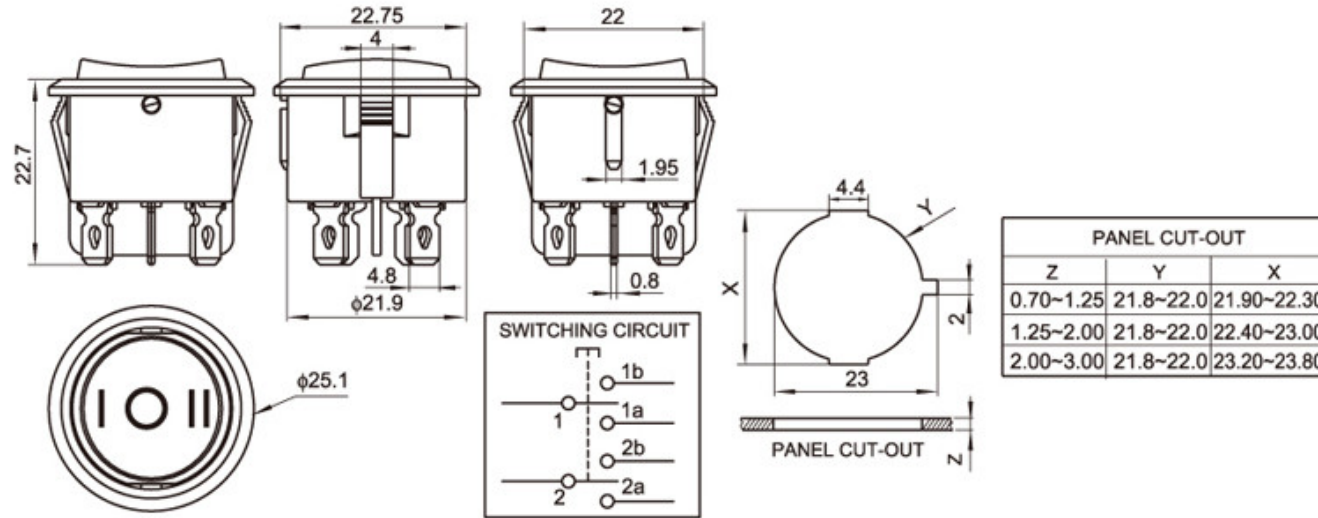




RoHS
Compliant
2002/95/EC

REV.	ECN. NO.	APPD.

DIMENSIONS



技术要求

1. 总装后表面光洁，无划伤、陷点，基座无裂痕；
2. 按钮按动灵活、声音清脆，无卡滞、杂音等现象。

项目 Item	参数 Parameter
额定电流、电压 Rated voltage Rated current	10(6)A 250V
绝缘电阻 Insulated resistance	≥100MΩ
接触电阻 Contact resistance	≤50mΩ
介电强度(极间) Dielectric strength	≥1500VAC/5S
电器寿命 Endurance	≥10000 Cycles
使用温度 Ambient temperature	T 85

8						UNITS	mm	LONGCHUANG ZHONGYE (HK)CO.,LIMITED				
7						MAT'L						
6						SEE NOTE		TITLE:	Rocker Switch			PART NO.:
5						FINISH		DR:				DWG NO.:
4						SEE NOTE		CHKD:				RS601F2-2030041RB
3						Q'TY		APPD:	SCALE	SHEET	REV.	CUSTOMER
2									4:1	1/1	A	DRAWING
1												
NO.	PARTS	MATERIAL	Q'TY	FINISHING		THESE DRAWINGS AND SPECIFICATIONS ARE THE PROPERTY OF ACCURATE INNOTECH INC AND SHALL NOT BE REPRODUCED, COPIED OR USED IN ANY MANNER WITHOUT THE PRIOR WRITTE						