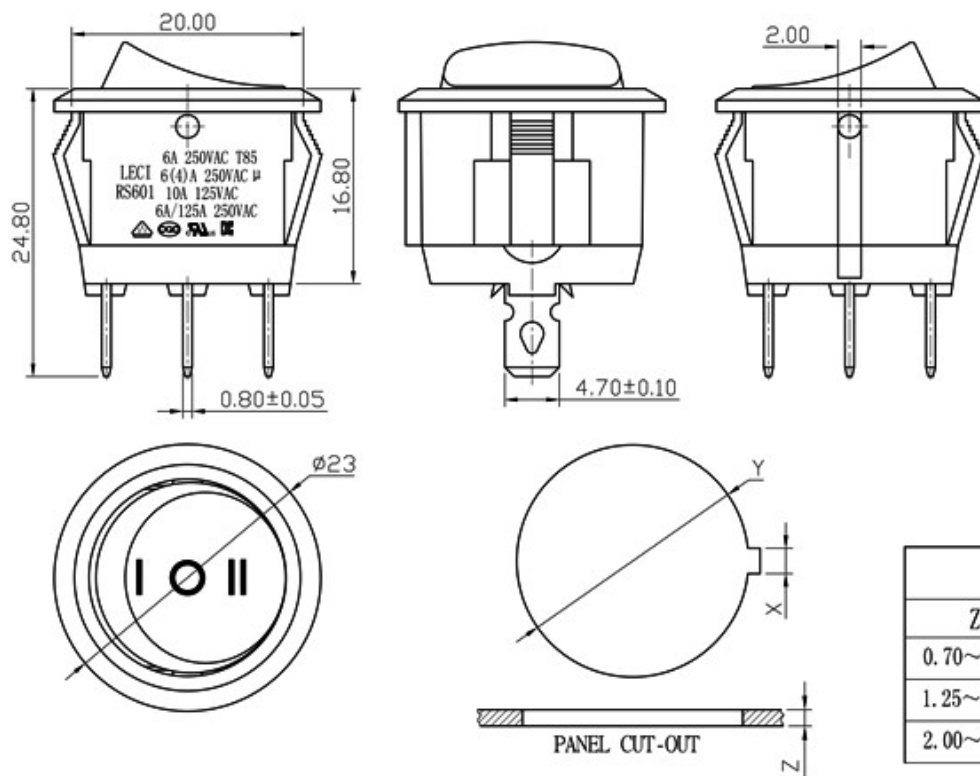




RoHS
Compliant
2002/95/EC

REV.	ECN. NO.	APPD.

DIMENSIONS



Rating:

CQC 6A 250V AC T85
6A/125A 250VAC
UL cUL 10A 125V AC/6A 250V AC
VDE 6(4)A 250V AC T85/55
KC 6(4)A 250V AC

Circuit Diagram: 3P ON-OFF-ON

Terminal Strength: ≥80N

Electrical life: ≥10000 cycles

Withstand Voltage: Withstand Voltage:1800VAC 1min

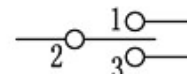
Terminals to Button:3000VAC 1min

Leakage Current: 1mA

Current resistance: ≤50mΩ(initial)

Insulation resistance: ≥100MΩ

SWITCHING CIRCUIT



PANEL CUT-OUT

Z	Y	X
0.70~1.25	20.00~20.10	2.10~2.20
1.25~2.00	20.10~20.20	2.10~2.20
2.00~3.00	20.20~20.30	2.10~2.20

项目 Item	参数 Parameter
额定电流、电压 Rated voltage Rated current	10(6)A 250V
绝缘电阻 Insulated resistance	≥100MΩ
接触电阻 Contact resistance	≤50mΩ
介电强度(极间) Dielectric strength	≥1500VAC/5S
电器寿命 Endurance	≥10000 Cycles
使用温度 Ambient temperature	T 85

技术要求

1. 总装后表面光洁，无划伤、陷点，基座无裂痕；
2. 按钮按动灵活、声音清脆，无卡滞、杂音等现象。

8						UNITS	mm	LONGCHUANG ZHONGYE (HK)CO.,LIMITED					
7						MAT'L							
6						SEE NOTE		TITLE:	Rocker Switch			PART NO.:	
5						FINISH		DR:				DWG NO.:	
4						SEE NOTE		Q'TY	CHKD:				RS601C-1030041BB
3								APPD:	SCALE	SHEET	REV.	CUSTOMER	
2									4:1	1/1	A	DRAWING	
1													
NO.	PARTS	MATERIAL	Q'TY	FINISHING									

THESE DRAWINGS AND SPECIFICATIONS ARE THE PROPERTY OF ACCURATE INNOTECH INC AND SHALL NOT BE REPRODUCED, COPIED OR USED IN ANY MANNER WITHOUT THE PRIOR WRITTE