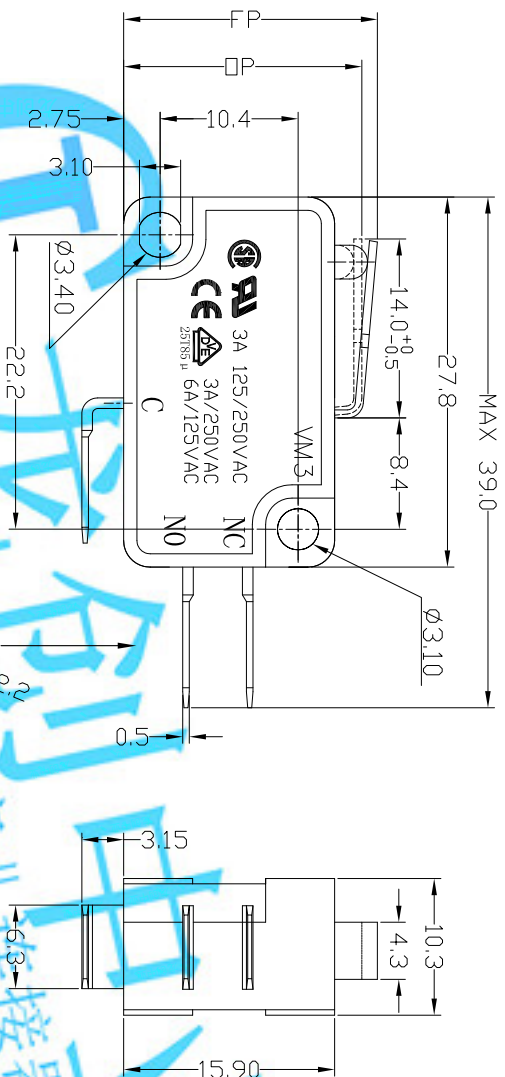


DIMENSIONS



LCZY 189° Quick-connect

MODEL CODE

VM3-01X-XXS-U56

1 2 3 4 5 6 7

1.Series: VM

2.Current Rating: 3=3A 125/250VAC

3.Actuator: 00=Non-lever 01=99=Lever

4.Termination: see chart (N/K)

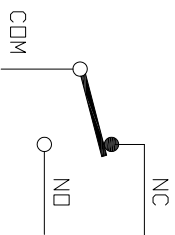
(2=SPST-NO / 16=SPST-NC)

5.Operating Force: see chart

6.Spring Material:S=SUS304

7.Contact type: U56=3Amps Contact

CIRCUIT DIAGRAM



1.Functional spec

1.1 Rated Voltage(AC)	125/250VAC
1.2 Rated Current(AC)	3A
1.3 Contact Resistance	≤100mΩ(initial value)
1.4 Operating Force	110±30gf 160±40gf 250±50gf
1.5 Bounce Time	
1.6 Free Position	19.1±0.5mm
1.7 Operating Position	18.1±0.5mm
1.8 Position Travel	
1.9 Return Force	

2.Reliable Rating

2.1 Mechanical Life	1,000,000 CYCLES
2.2 Electrical Life	10,000 CYCLES
2.3 Insulation Resistance	≥100MΩ DC500V
2.4 Withstand Voltage	AC1500V 1 minute
2.5 Soldering Technic	Hand Soldering
2.6 Operating Temper	-25°C ~ +85°C
2.7 Ambient Humidity Used	<85%RH

LONGCHUANG ZHONGYE (HK)CO.,LIMITED

Tolerance:±0.2	UNITS mm
MAT'L	SEE NOTE
FINISH	SEE NOTE
Q'TY	
DR:	2017/5/10
CHKD:	2017/5/10
APPD:	
TITLE:	MICRO SWITCH VM3 SERIES
PART NO.:	VM3-01N-XXS-U56
DWG NO.:	ATD-01X-XXS-U56
SCALE	SHEET
1/2	1/2
REV.	A
CUSTOMER DRAWING	

REV.	ECN.	NO.	APPL.