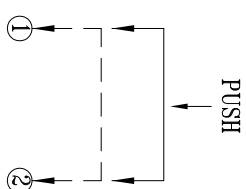
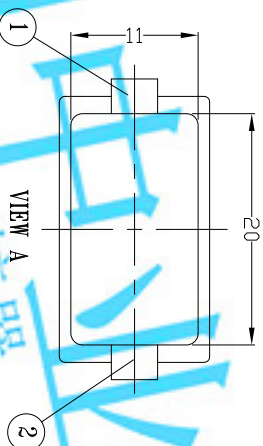
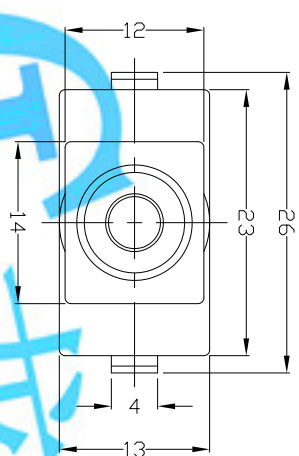


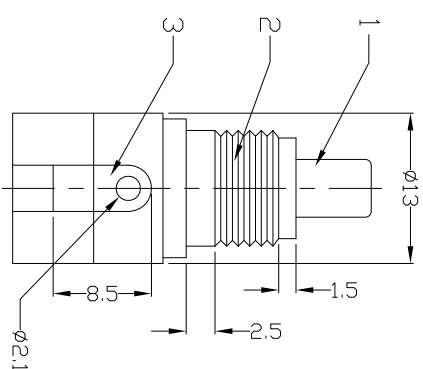
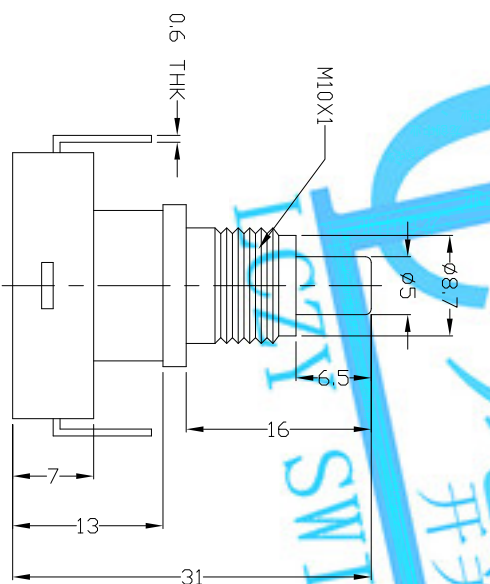


RoHS
Compliant
2002/95/EC

DIMENSIONS



CIRCUIT DIAGRAM



ELECTRO-MECHANICAL CHARACTERISTICS

Refer to additional specifications

RATING	DC30V 1A
CIRCUIT	1P1T
CONTACT RESISTANCE	100mΩ MAX.
TIMING	
OPERATING MODE	SELF-LOCK
OPERATING FORCE	800±200gf
OPERATING LIFE(cycles)	10,000

9	SPRING C	SUS WIRE	1	NATURAL					
8	SPRING B	SUS WIRE	1	NATURAL					
7	SPRING A	SUS WIRE	1	NATURAL					
6	CONTACT	BRASS STRIP	1	Ag PLATED OVER Ni PLATED					
5	SLIDER	PDM	1	BLACK					
4	BASE	PDM	1	BLACK					
3	TERMINAL	BRASS STRIP	2	Ag PLATED OVER Ni PLATED					
2	HOUSING	PDM	1	BLACK					
1	KNDB	PDM	1	BLACK					
ND.	PARTS	MATERIAL	Q'TY	FINISHING					

WITHIN 1.5mm: ±0.1mm
OVER 1.5mm: ±0.2mm

UNITS: mm

MAT'L

SEE NOTE

FINISH

SEE NOTE

THESE DRAWINGS AND SPECIFICATIONS ARE THE PROPERTY OF ACCURATE INNOTECH INC. AND SHALL NOT BE REPRODUCED, COPIED OR TRANSMITTED IN ANY FORM OR BY ANY MEANS WITHOUT THE WRITTEN CONSENT OF ACCURATE INNOTECH INC.

Q'TY

LONGCHUANG ZHONGYE (HK)CO.,LIMITED

TITLE: PUSH SWITCH / VERTICAL

DR: *Stacy* 2014/05/06

CHKD: *Stacy* 2014/05/06

APPD:

PART NO.: AP-11G01L

DWG NO.: ADJ-11G01

SCALE: 3:2

SHEET: 1/1

REV. A

REV.	ECN.	NO.	APPD.

CUSTOMER DRAWING